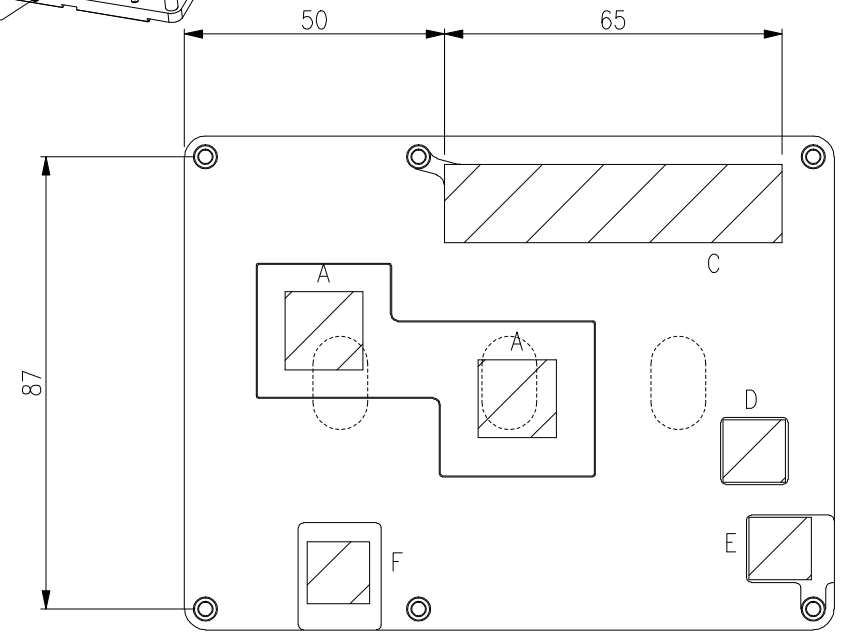
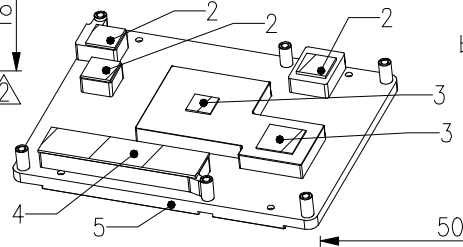
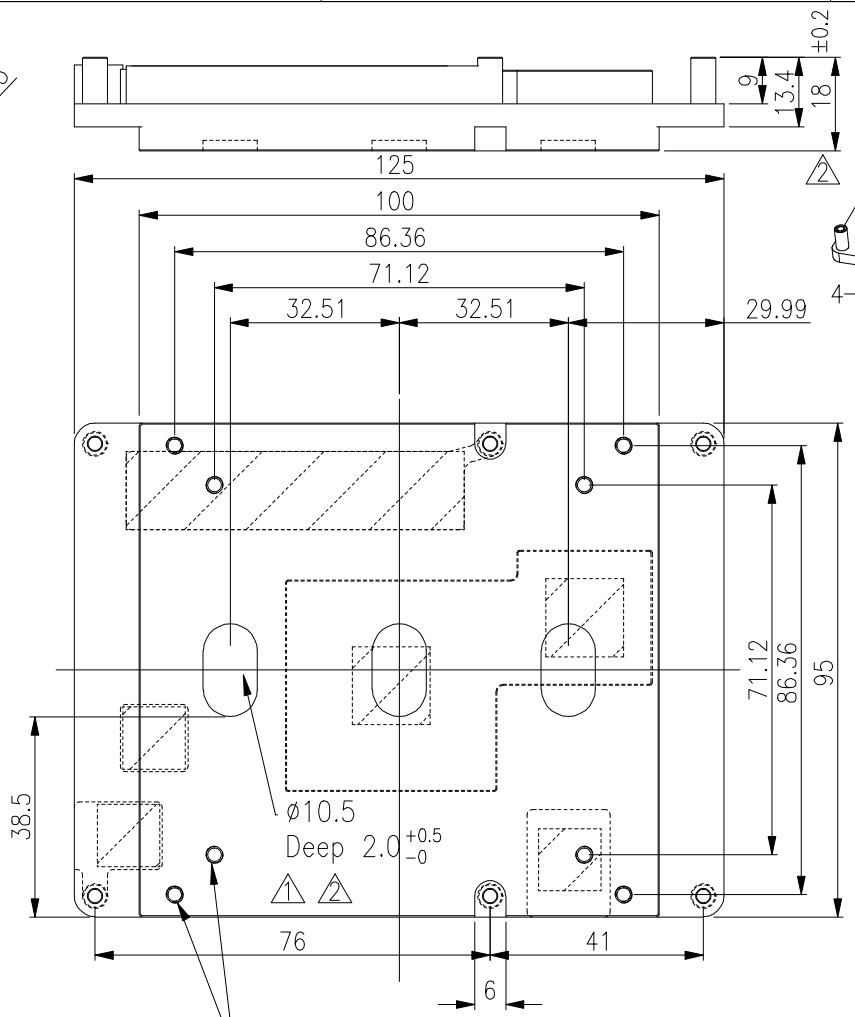
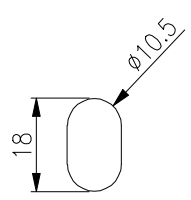
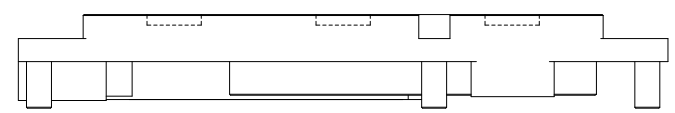


REV. LTR.	DATE	UPDATE DESCRIPTION	REMARK	SIGN	APPROVER
1	2010.02.23	Add $\phi 10.5$ Deep 6.4 *3		Nina	
2	2010.03.31	Change $\phi 10.5$ Deep 6.4 $\rightarrow$ 2 ; change 15 $\rightarrow$ 18		Nina	



- NOTE:
- PAD:見零件表
  - Accessory kit:
    - (Head-BI)頭 M2.5\*6-1PCS
    - (Head-BI)頭 M2.5\*18-4PCS
  - Neutral Package (in White Box)
  - All sharp edges to be rounded



5								
4	PAD_65X15_10T	RS-300	1	Thermal PAD	65*15*1.25t:			
3	PAD_15X15_05T	RS-300	1	Thermal PAD	15*15*0.75t:			
2	PAD_12X12_10T	RS-300	3	Thermal PAD	12*12*1.25t:			
1	Heat sink	-	1	AL 6063-T5				
ITEM	PART NAME	PART NO.	QTY/SET	MATERIAL(SPEC.)	REMARK			
MATERIAL(SPEC.)		AL 6063-T5		QUANTITY/SET		1		
FINISH		Anodizing treatment		DRAWER		2010.03.31		
SELECT V				DESIGNER		Nina		
DIM TOL		1	2	3	4	EXTRA	V	
~8	0.03	0.05	0.10	0.20	0.20		DRAWER	
8~25	0.05	0.08	0.20	0.30	0.20		DESIGNER	
25~80	0.08	0.12	0.30	0.40	0.20		CHECKER	
80~250	0.12	0.20	0.40	0.50	0.20		APPROVER	
250~	0.20	0.30	0.50	0.60	0.30			
				SCALE		PART NO.		DRAWING NO.
				1,000		6884042		heat sink
				UNIT		FILE NAME		MODEL NO.
				mm				



DESCRIPTION  
**CME-Z5xx Heat Spreader**