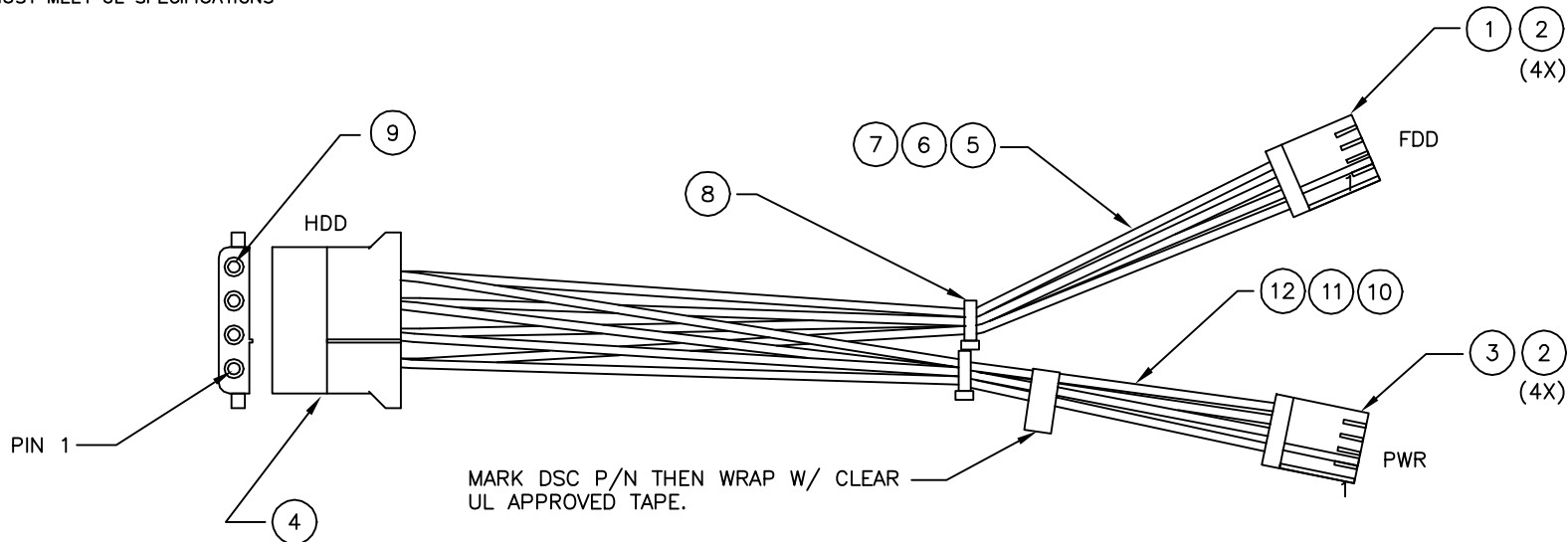


DWG NO	698006	SHT	1	REV	1
REVISIONS					
REV	DESCRIPTION	DATE	DRAWN	APPROVED	
A	RELEASE TO PRODUCTION	07/09/01	B.JF	ECO # 0017	

NOTES:

1. THIS DOCUMENT CONTAINS CONFIDENTIAL INFORMATION THAT IS OWNED BY DIAMOND SYSTEMS CORPORATION AND MAY NOT BE COPIED, DISCLOSED OR OTHERWISE USED WITHOUT THE EXPRESSED WRITTEN CONSENT OF D.S.C
2. CABLE MUST MEET UL SPECIFICATIONS



WIRING DIGRAM

HDD PWR ITEM 4	DESCRIPTION	FDD PWR ITEM 1	CPU ITEM 3
1	+12V / YELLOW	4	4
2	GND / BLACK	3	3
3	GND / BLACK	2	2
4	+ 5V / RED	1	1

ITEM	DESC	PNO	VENDOR	QTY	UM	NOTE
12	WIRE 22AWG, STRANDED RED 12.0" LONG			1	EA	
11	WIRE 22AWG, STRANDED BLACK 12.0" LONG			2	EA	
10	WIRE 22AWG, STRANDED YELLOW 12.0" LONG			1	EA	
9	TERMINAL CRIMP			4	EA	
8	TY WRAP			2	EA	
7	WIRE 22AWG, STRANDED RED 6.0" LONG			1	EA	
6	WIRE 22AWG, STRANDED BLACK 6.0" LONG			2	EA	
5	WIRE 22AWG, STRANDED YELLOW 6.0" LONG			1	EA	
4	CONNECTOR 4 POS, FEMALE	JP1120-4	JMT	1	EA	
3	CONNECTOR 4 POS	22-01-3047	MOLEX	1	EA	
2	TERMINAL CRIMP	08-50-0114	MOLEX	8	EA	
1	CONNECTOR IDC SOCKET 4 POS. W/ KEY	22-01-3067	MOLEX	2	EA	

UNLESS OTHERWISE SPECIFIED DIMENSIONS ARE IN INCHES
 ±.015 BEND TO A BEND
 ±.010 FEATURE TO A BEND
 ±.010 FEATURE TO AN EDGE
 ±.005 FEATURE TO A FEATURE
 ±.500 DEGREE FOR ANGLES

DO NOT SCALE DRAWING

APPROVALS: DRAWN b jf, DATE 6/7/01

MATERIAL CHECKED, ENGR, MFG

FINISH

DIAMOND SYSTEMS CORPORATION
 450 SAN ANTONIO ROAD - PALO ALTO, CA 94306

CABLE ASSEMBLY, POWER

SIZE B, DWG NO 698006, REV A

SCALE NONE, DOC REV: A, THIRD ANGLE PROJECTION, SHEET 1 OF 1