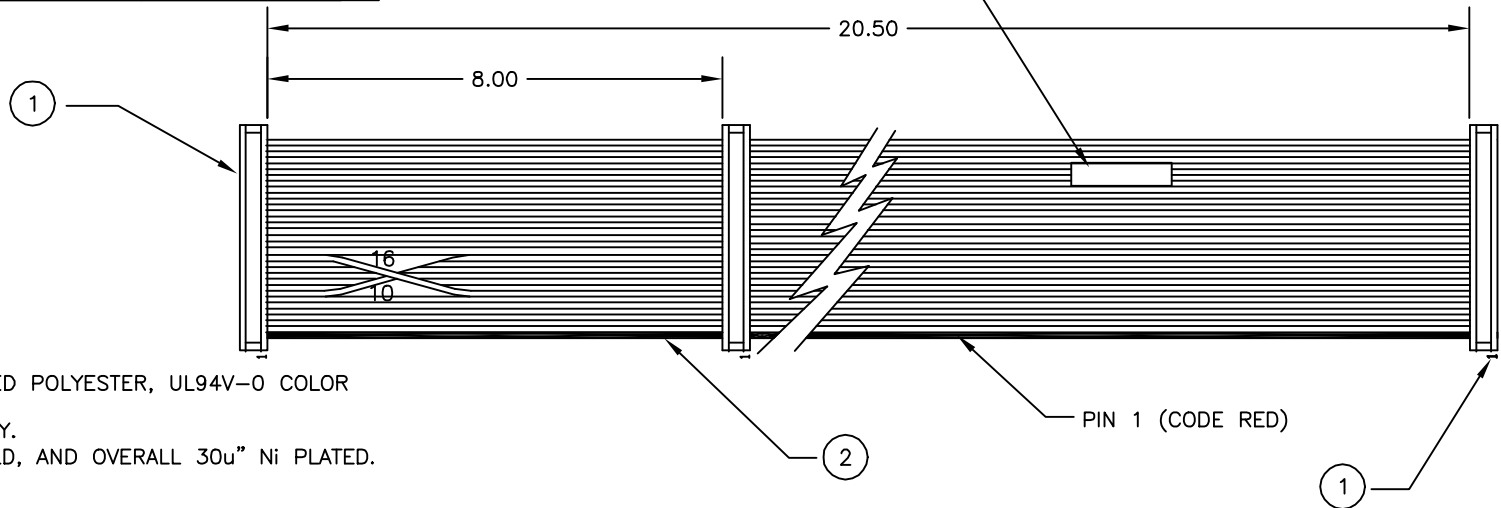


DWG NO	698008	SHT	1	REV	1	1
REVISIONS						
REV	DESCRIPTION	DATE	DRAWN	APPROVED		
A	RELEASE TO PRODUCTION	07/09/01	BJF	ECO 0017		

M/B CONNECTOR	MIDDLE CONNECTOR	OUTER CONNECTOR
1-9	←	←
10	←	16
11	←	15
12	←	14
13	←	13
14	←	12
15	←	11
16	←	10
17-34	←	←



- NOTES:
- MATERIAL:
INSULATOR: GLASS FILLED POLYESTER, UL94V-0 COLOR GREY.
CONTACT: COPPER ALLOY.
PLATING: SELECTIVE GOLD, AND OVERALL 30u" Ni PLATED.
CONDUCTOR 28 AWG.
 - ELECTRICAL:
VOLTAGE RATING: 250 VAC (RMS).
CURRENT RATING: 1 AMP.
INSULATION RESISTANCE: 5000 MEGOHMS.
 - THE WIRING CONNECTORS BETWEEN THE 2 OUTER CONNECTORS AND THE MIDDLE CONNECTOR ARE AS SHOWN BELOW.
 - THIS DOCUMENT CONTAINS CONFIDENTIAL INFORMATION THAT IS OWNED BY DIAMOND SYSTEMS CORPORATION AND MAY NOT BE COPIED, DISCLOSED OR OTHERWISE USED WITHOUT THE EXPRESSED WRITTEN CONSENT OF D.S.C
 - CABLE MUST MEET UL SPECIFICATIONS

2	34 Cond. Ribbon Cable					IN
1	34 Pin Socket				3	EA
ITEM	DESC	PNO	VENDOR	QTY	UM	NOTE
UNLESS OTHERWISE SPECIFIED DIMENSIONS ARE IN INCHES ±.015 BEND TO A BEND ±.010 FEATURE TO A BEND ±.010 FEATURE TO AN EDGE ±.005 FEATURE TO A FEATURE ±.005 FEATURE ±.500 DEGREE FOR ANGLES		DO NOT SCALE DRAWING		 DIAMOND SYSTEMS CORPORATION 450 SAN ANTONIO ROAD - PALO ALTO, CA 94306		
APPROVALS		DATE		CABLE ASSEMBLY, RIBBON 34 POS FDD		
DRAWN BJJ		6/12/01		SIZE B DWG NO 698008		
MATERIAL		CHECKED		REV A		
ENGR		MFG		SCALE NONE DOC REV: A THIRD ANGLE PROJECTION SHEET 1 OF 1		