

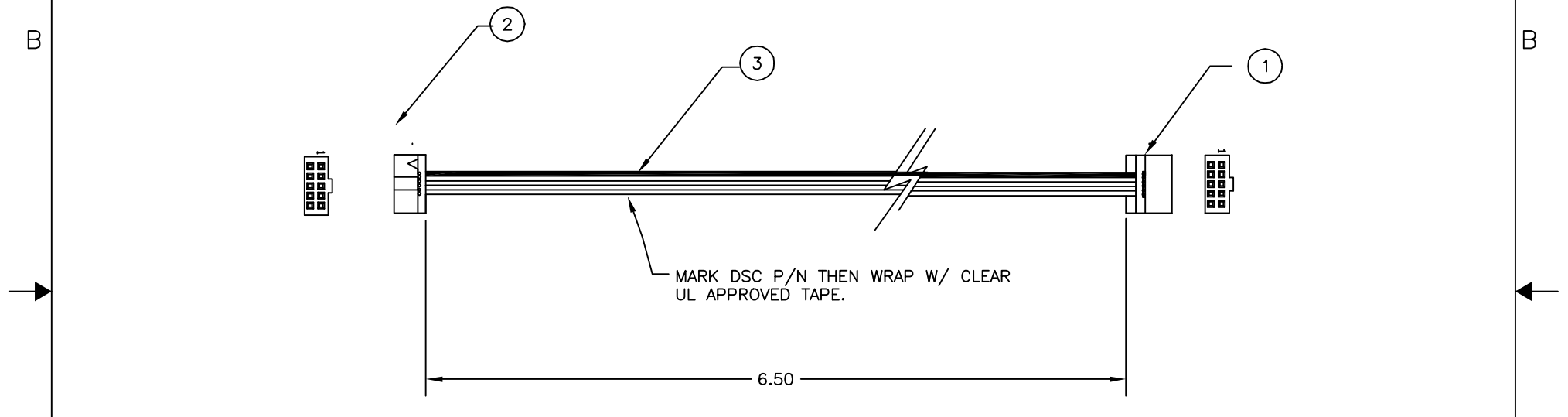
4

3

2

1

DWG NO	698005	SHT	1	REV	1
REVISIONS					
REV	DESCRIPTION	DATE	DRAWN	APPROVED	
A	RELEASE TO PRODUCTION	07/09/01	BJF	ECO 0017	
B	Revise left connector orientation	12/03/01	JDM	ECO 0050	



4					
3	RIBBON CABLE, 10 COND. GREY	1100-10	HITACHI	6.5	IN
2	CONNECTOR SOCKET 10 POS. W/O STRAIN RELIEF	1100-10	PHYCO	1	EA
1	CONNECTOR SOCKET 10 POS. W/ STRAIN RELIEF	1100-10	PHYCO	1	EA
ITEM	DESC	PNO	VENDOR	QTY	UM
UNLESS OTHERWISE SPECIFIED DIMENSIONS ARE IN INCHES ±.015 BEND TO A BEND ±.010 FEATURE TO A BEND ±.010 FEATURE TO AN EDGE ±.005 FEATURE TO A FEATURE ±.005 FEATURE ±.500 DEGREE FOR ANGLES		DO NOT SCALE DRAWING		DIAMOND SYSTEMS CORPORATION 450 SAN ANTONIO ROAD - PALO ALTO, CA 94306	
MATERIAL		APPROVALS	DATE	CABLE ASSEMBLY, VIDEO 10 PIN	
FINISH		DRAWN	6/22/01	SIZE	DWG NO
		CHECKED		B	698010
		ENGR		SCALE	REV
		MFG		NONE	B
		THIRD ANGLE PROJECTION		DOC REV:	SHEET
				A	1 OF 1

NOTES:
 1. THIS DOCUMENT CONTAINS CONFIDENTIAL INFORMATION THAT IS OWNED BY DIAMOND SYSTEMS CORPORATION AND MAY NOT BE COPIED, DISCLOSED OR OTHERWISE USED WITHOUT THE EXPRESSED WRITTEN CONSENT OF D.S.C
 2. CABLE MUST MEET UL SPECIFICATIONS

4

3

2

1