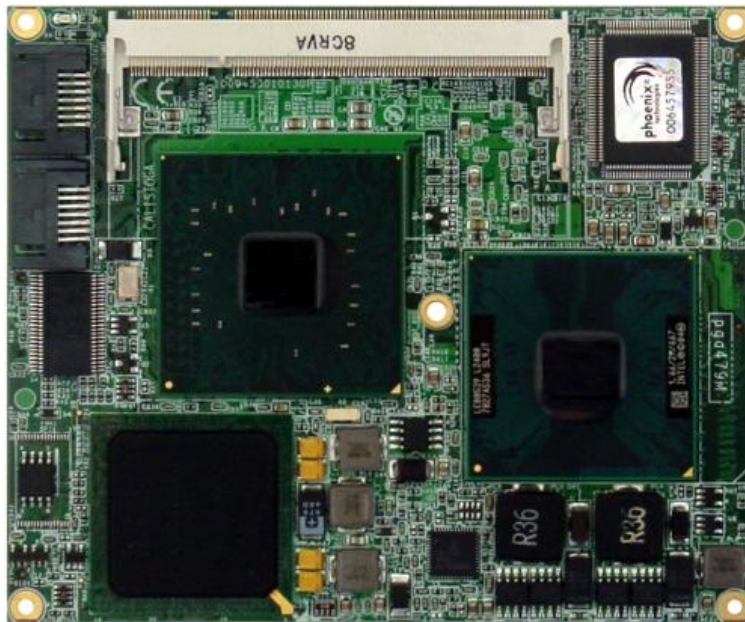




ETX-945 User Manual

High-Performance ETX 3.0 Compliant Computer-on-Modules



Revision	Date	Comment
1.00		Initial Release
1.01	May 2010	Minor Update
1.02	March 2011	Removed watchdog timer information

**FOR TECHNICAL SUPPORT
PLEASE CONTACT:**

support@diamondsystems.com

© Copyright 2011
Diamond Systems Corporation
1255 Terra Bella Ave.
Mountain View, CA 94043 USA
Tel 1-650-810-2500
Fax 1-650-810-2525
www.diamondsystems.com

CONTENTS

IMPORTANT SAFE-HANDLING INFORMATION	3
1. INTRODUCTION	4
1.1 Features	4
1.2 ETX-945 Models	5
2. FUNCTIONAL OVERVIEW	6
2.1 Block Diagram	6
2.2 Board Dimensions, Mounting Holes, and Connectors	7
2.3 Bus and Interface Connector Summary	9
2.4 ETX Bus Connectors	9
2.5 Other Interface Connectors	9
3. GETTING STARTED	10
3.1 ETX Development Kits	11
3.2 Configuring the Hardware	11
3.3 Booting the System	12
3.4 BIOS Setup Utility	12
3.4.1 Standard CMOS Features	12
3.4.2 Advanced BIOS Features	12
3.4.3 Advanced Chipset Features	13
3.4.4 Integrated Peripherals	13
3.4.5 Power Management Setup	13
3.4.6 PnP/PCI Configuration	14
3.4.7 Other Settings and Utilities	14
3.5 Operating System Drivers	14
3.6 BIOS Beep Code List	14
4. INTERFACE CONNECTOR DETAILS	15
4.1 ETX1 Connector	16
4.1.1 PCI bus signals	17
4.1.2 USB signals	18
4.1.3 Audio interface	18
4.1.4 Miscellaneous functions	19
4.2 ETX2 Connector	20
4.3 ETX3 Connector	21
4.3.1 Analog video output	22
4.3.2 TV video output	22
4.3.3 LCD interface	23
4.3.4 Serial port interfaces	23
4.3.5 Keyboard, mouse, and infrared transceiver interfaces	24
4.3.6 Parallel port interface	24
4.3.7 Floppy drive interface	25
4.3.8 Miscellaneous functions	26
4.4 ETX4 Connector	27
4.4.1 IDE interfaces	28
4.4.2 Ethernet port	29
4.4.3 Power control and management	29
4.4.4 Miscellaneous signals	30
4.5 SATA Connectors	30
5. APPENDIX: SYSTEM RESOURCES REFERENCE	31
5.1 BIOS Memory Mapping	31
5.2 I/O Port Address Map	32
5.3 Interrupt Request (IRQ) Lines	34
5.4 BIOS POST Codes	35

IMPORTANT SAFE-HANDLING INFORMATION



WARNING: ESD-Sensitive Electronic Equipment!

Observe ESD-safe handling procedures when working with this product.

Always use this product in a properly grounded work area and wear appropriate ESD-preventive clothing and/or accessories.

Always store this product in ESD-protective packaging when not in use.

Safe Handling Precautions

The ETX-945 contains numerous I/O connectors that connect to sensitive electronic components. This creates many opportunities for accidental damage during handling, installation and connection to other equipment. The list here describes common causes of failure found on boards returned to Diamond Systems for repair. This information is provided as a source of advice to help you prevent damaging your Diamond (or any vendor's) embedded computer boards.

ESD damage – This type of damage is almost impossible to detect, because there is no visual sign of failure or damage. The symptom is that the board simply stops working, because some component becomes defective. Usually the failure can be identified and the chip can be replaced. To prevent ESD damage, always follow proper ESD-prevention practices when handling computer boards.

Damage during handling or storage – On some boards we have noticed physical damage from mishandling. A common observation is that a screwdriver slipped while installing the board, causing a gouge in the PCB surface and cutting signal traces or damaging components.

Another common observation is damaged board corners, indicating the board was dropped. This may or may not cause damage to the circuitry, depending on what is near the corner. Most of our boards are designed with at least 25 mils clearance between the board edge and any component pad, and ground / power planes are at least 20 mils from the edge to avoid possible shorting from this type of damage. However these design rules are not sufficient to prevent damage in all situations.

A third cause of failure is when a metal screwdriver tip slips, or a screw drops onto the board while it is powered on, causing a short between a power pin and a signal pin on a component. This can cause overvoltage / power supply problems described below. To avoid this type of failure, only perform assembly operations when the system is powered off.

Sometimes boards are stored in racks with slots that grip the edge of the board. This is a common practice for board manufacturers. However our boards are generally very dense, and if the board has components very close to the board edge, they can be damaged or even knocked off the board when the board tilts back in the rack. Diamond recommends that all our boards be stored only in individual ESD-safe packaging. If multiple boards are stored together, they should be contained in bins with dividers between boards. Do not pile boards on top of each other or cram too many boards into a small location. This can cause damage to connector pins or fragile components.

Power supply wired backwards – Our power supplies and boards are not designed to withstand a reverse power supply connection. This will destroy each IC that is connected to the power supply. In this case the board will most likely will be unrepairable and must be replaced. A chip destroyed by reverse power or by excessive power will often have a visible hole on the top or show some deformation on the top surface due to vaporization inside the package. **Check twice before applying power!**

1. INTRODUCTION

The ETX-945 is a highly integrated computer-on-module (COM) available with a range of high performance Intel® Core™ 2 Duo, Core Duo, and Celeron™ M processors. The module provides an SO-DIMM socket for up to 2GB of DDR2 DRAM, and provides interface controllers for high-resolution CRT and LVDS-interfaced displays, 10/100Mbps Ethernet, SATA and IDE storage devices, USB 2.0, audio, serial, parallel, and PS/2 ports. Additionally, the ETX-945 provides a high degree of system expansion flexibility via the presence of both 32-bit PCI and 16-bit ISA expansion buses on its ETX 3.0 compliant baseboard interface connectors.

1.1 Features

- Processor options:

The following processors, when included, are soldered onto the board:

- Intel Core 2 Duo 667MHz FSB and 4MB L2 Cache, LV
- Intel Core 2 Duo 533 MHz FSB and 2MB L2 Cache, ULV
- Intel Core Duo 667 MHz FSB and 2MB L2 Cache, LV
- Intel Core Duo 533 MHz FSB and 2MB L2 Cache, ULV
- Intel Celeron 533 MHz FSB and 1MB L2 Cache, M ULV

The following processor, when included, is placed in a socket:

- Intel Core 2 Duo 667MHz FSB and 4MB L2 Cache

- Chipset:

- Intel 945GME and Intel ICH7M

- RAM:

- 200-pin SO-DIMM socket
- Supports up to 2GB DDR2 SDRAM (400/533/667MHz)

- Graphics:

- Based on Intel GMA950 graphics core
- VGA CRT interface; up to 2048x1536 resolution
- Dual channel 24-bit LVDS; provides LCD backlight control signals
- TV output
- Supports dual independent displays

- Audio:

- Realtek ALC655 AC'97 CODEC
- Mic in, line in/out signals

- IDE interface:

- 1 UltraATA 100/66/33 interface
- Supports two devices (Master/Slave)
- Usable in PIO or UDMA mode

- SATA interfaces:

- 2 SATA ports, supporting one device each
- Up to 150MB/s data transfer rates
- Connectors directly on ETX COM module

- Floppy/parallel port:

- Shared interface
- Parallel port supports SPP/EPP/ECP modes

- Ethernet interface:

- 1 10/100Base-T port
- Based on Intel 82562

- Serial ports:

- 2 16550-compatible ports
- Logic-level signaling

- Keyboard/mouse:
 - Standard PS/2 keyboard/mouse ports
 - USB keyboard/mouse supported
- USB:
 - 4 USB 2.0 ports
- Other:
 - SMBus, I²C, IrDA serial interfaces
 - PC speaker interface
- Dual system expansion buses:
 - 16-bit ISA bus
 - 32-bit PCI bus; supports 4 PCI masters
- Size:
 - ETX 3.0 compliant form-factor (physical and electrical) *
 - 4.5 x 3.7 inches (95mm x 114mm)
- Input voltage:
 - System power: +5V DC +/-5%
 - Real-time clock backup: +2.0 to 3.6V DC
 - Power consumption: CPU dependent; see table of models, below
- Operating environment:
 - -40° to +85° C operating temperature
ETX-945-T7400: -20° to +71° C operating temperature
 - 0 to 90% operating humidity (non-condensing)
- BIOS:
 - Phoenix-Award PnP flash BIOS

* **Note:** The ETX 3.0 specification is available for download from the ETX Industrial Group's website (<http://www.etx-ig.de/specs/specs.php>).

1.2 ETX-945 Models

Model	CPU	CPU type	FSB	L2 Cache	CPU TDP	Board Power	
						Idle	Loaded
ETX-945-T7400	2.16GHz Core 2 Duo	socketed	667MHz	4MB	34	12W	41W
ETX-945-L7400	1.5GHz Core 2 Duo LV	soldered	667MHz	4MB	17	12W	24W
ETX-945-U7500	1.06GHz Core 2 Duo ULV	soldered	533MHz	2MB	10	12W	17W
ETX-945-L2400	1.66GHz Core Duo LV	soldered	667MHz	2MB	15	12W	22W
ETX-945-U2500	1.2GHz CoreDuo ULV	soldered	533MHz	2MB	9	12W	16W
ETX-945-CM423	1.06GHz Celeron M ULV	soldered	533MHz	1MB	5.5	12W	13W

2. FUNCTIONAL OVERVIEW

2.1 Block Diagram

Figure 1 shows the ETX-945 COM's functional blocks, ETX bus, and peripheral interface signals.

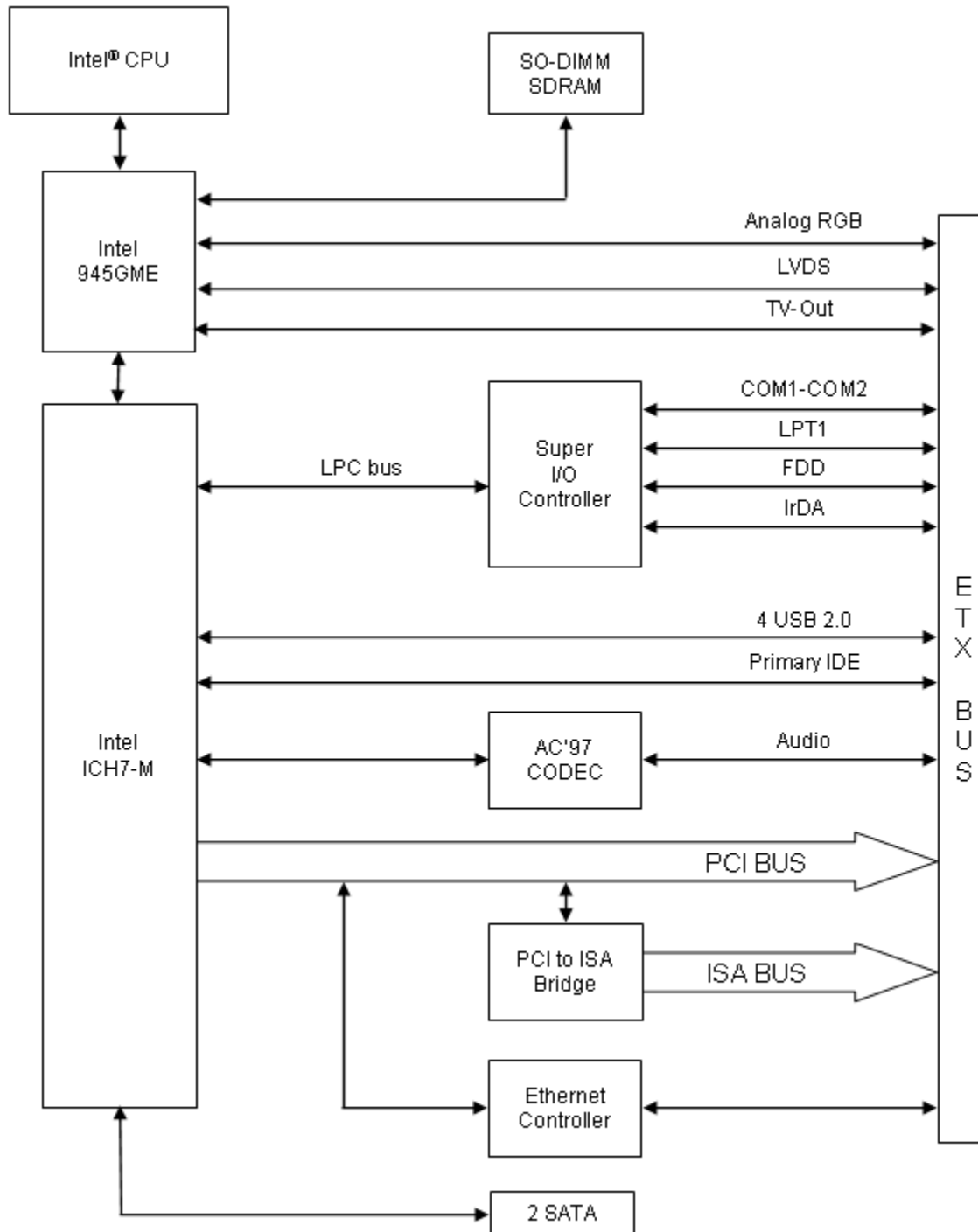


Figure 1: Functional Block Diagram

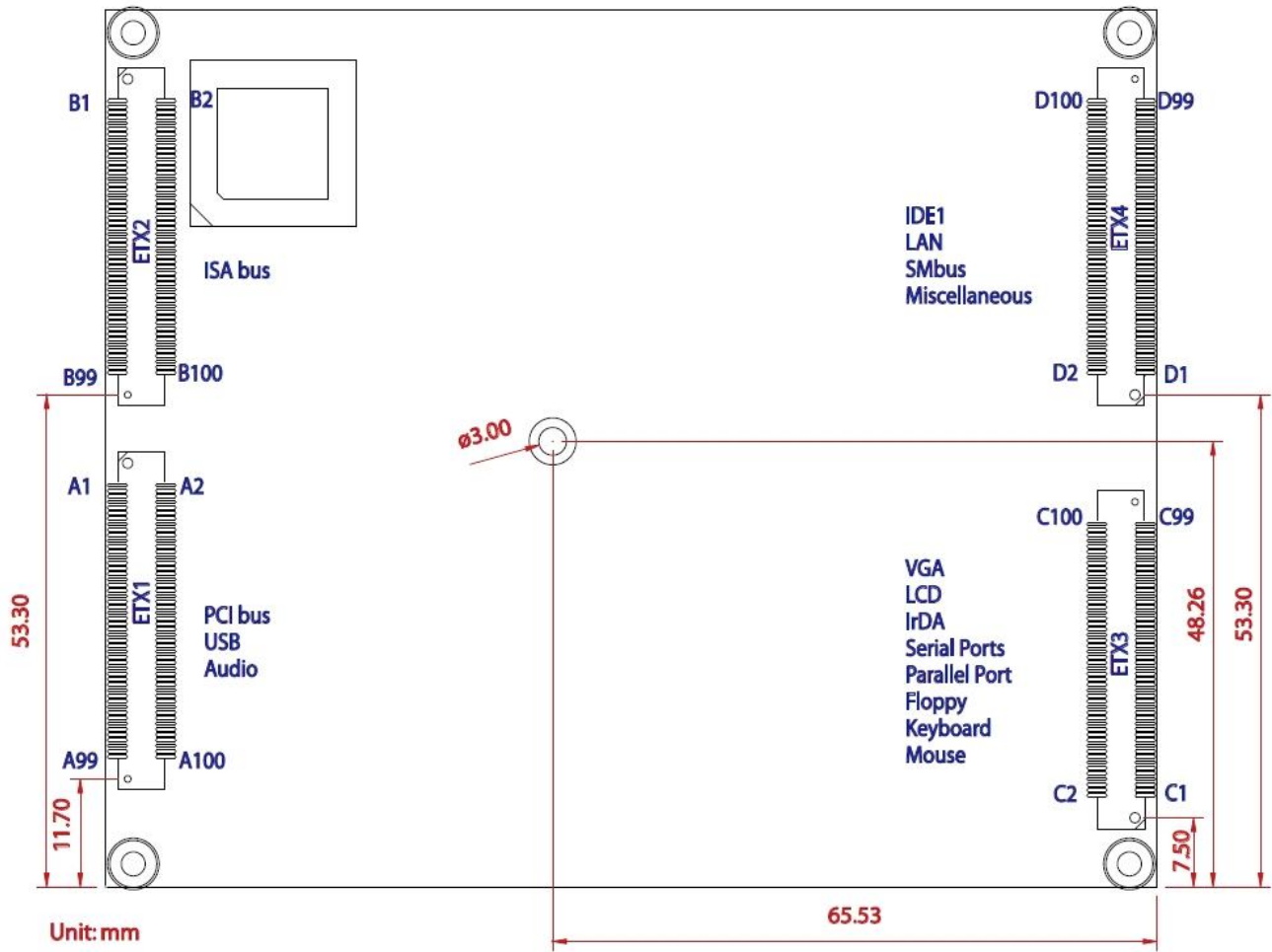


Figure 3: Board Layout – Bottom

2.3 Bus and Interface Connector Summary

The ETX-945 has six interface connectors, as listed in the tables below. These connectors are defined in accordance with the ETX 3.0 Computer-on-Module (COM) Specification. Signal functions relating to each of the ETX-945's interface connectors are discussed in greater detail in Section 4 of this document.

2.4 ETX Bus Connectors

Connector	Location	Pins	Function
ETX1	Bottom	100	PCI bus, USB ports, audio interface, serial IRQ
ETX2	Bottom	100	ISA bus
ETX3	Bottom	100	VGA, LCD (LVDS), TV video, serial ports, PS/2 keyboard and mouse, parallel port, floppy interface
ETX4	Bottom	100	IDE ports, Ethernet, power supply control, speaker, RTC (real time clock), backup battery input, I ² C bus, SMBus

2.5 Other Interface Connectors

Connector	Location	Pins	Function
SATA1	Top	7	Serial ATA channel 1
SATA2	Top	7	Serial ATA channel 2

3. GETTING STARTED

This section of the ETX-945 User Manual covers basic hardware setup, power connection, system boot-up, and initial software configuration. First-time ETX-945 users normally receive the product as part of one of Diamond's Development Kits, which provide everything needed to ensure rapid application development.

Important Safe-Handling Information



WARNING: ESD-Sensitive Electronic Equipment!

Observe ESD-safe handling procedures when working with this product.

Always use this product in a properly grounded work area and wear appropriate ESD-preventive clothing and/or accessories.

Always store this product in ESD-protective packaging when not in use.

Please refer to page 3 of this manual ("Important Safe-Handling Information") for further details.

3.1 ETX Development Kits

To facilitate evaluation and development, the ETX-945 is normally supplied pre-integrated into one of Diamond's ETX development kits (pictured below). This approach increases project efficiency and reduces risks by providing a known good environment for rapid application development.

Diamond's ETX development kits feature baseboards with I/O connectors for quick and easy access to nearly all system interfaces, a CompactFlash socket, and modular PC/104-Plus expansion. The kits – which include both generic models and application-oriented ETX baseboards in various form-factors – extend the ETX-945's functionality by adding serial and LAN ports, RS-232/422/485 signal buffering, CompactFlash sockets, industry-leading data acquisition I/O functions, and more. Additionally, the kits come with SO-DIMM memory, an extensive set of interface cables, drivers for Linux and Windows operation, and full documentation.

Two examples appear below.



ETX form-factor development kit: Matches the footprint of the ETX-945 and provides connectors for system I/O, CompactFlash, PC/104-Plus expansion, two additional serial ports, RS-232/422/485 buffering, a digital I/O port, and a second Ethernet LAN interface.



EPIC form-factor development kit: Provides connectors for system I/O, CompactFlash, PC/104-Plus expansion, four additional serial ports, RS-232/422/485 buffering, a second Ethernet port, a 5V/7-28V DC-to-DC power supply, and an industry-leading data acquisition subsystem.

3.2 Configuring the Hardware

Assuming you are using one of Diamond's baseboards and heat-spreaders or heatsinks with the ETX-945, prepare the hardware as follows:

- If the SO-DIMM memory module is not already installed, carefully insert it into the socket provided on the top-side of the ETX-945 module. Refer to the specifications in the introduction of this manual for memory capacity and speed requirements.
- Secure the heat-spreader (or heatsink) to the top-side of the ETX-945 module using the single short screw provided with the heat-spreader (or heatsink), taking care to align the four corner mounting holes of the heat-spreader (or heatsink) with the four corresponding standoffs on the top of the ETX-945. **Note:** This mounting screw attaches to the heat-spreader (or heatsink) via a hole near the middle of ETX-945 module, and screws in from the bottom-side of the ETX module.

- Using the four long screws provided with the heat-spreader (or heatsink), secure the heat-spreader (or heatsink) to the corresponding standoffs located in the four corners of the top of the ETX-945 module. If the ETX module is to be installed in an enclosure, align the heat-spreader's (or heatsink's) corner mounting holes with corresponding hole-pattern on the enclosure before inserting and tightening the four mounting screws. Depending on the thickness of the enclosure or chassis material, slightly longer screws may be required.
- Connect the baseboard to a keyboard, monitor, mouse, mass storage device, other desired peripherals, and a source of DC power. Refer to the baseboard's User Manual for interface cabling considerations.
- Connect the baseboard to a suitable source of DC power, as described in its User Manual.

3.3 Booting the System

Power-up the VGA video monitor. Then power-up the system power supply. The ETX-945 module should begin its boot-up sequence immediately, as evidenced by BIOS messages on the connected VGA display. You can run the BIOS Setup utility and proceed to install an operating system on the boot drive just as you would on a normal desktop PC.

3.4 BIOS Setup Utility

The Award BIOS provides a Setup utility for specifying system configuration and settings. Pressing the key shortly after power is applied to the ETX-945 launches the BIOS Setup utility. Watch for the following message:

Press to Enter Setup

The BIOS Setup utility's main menu provides access to the following configuration and settings pages, along with several exit options. Setup categories include the following:

- Standard CMOS features
- Advanced BIOS features
- Advanced chipset features
- Integrated peripherals
- PnP/PCI configuration

These are discussed briefly below.

3.4.1 Standard CMOS Features

The Standard CMOS Features function includes settings for RTC date/time initialization, IDE and floppy drive detection and configuration, default video mode, and boot error handling options. This function should be re-run if the system's configuration is changed, the onboard battery fails, or the configuration stored in CMOS memory is lost or corrupt.

3.4.2 Advanced BIOS Features

The Advanced BIOS Features function provides configuration options for boot device priority, Hyper-Threading Technology, quick POST (power-on self test), and several other system parameters.

One key configuration setting is the designation of "First" and "Second" boot devices. This directs the BIOS to scan for a bootable operating system in two locations, which can be floppy, CD-ROM, hard drive, USB devices, or LAN devices. Additionally, you can specify an alternative location for the BIOS to scan, in case these are not found or do not contain a bootable OS.

Other settings available from this Setup page include boot-up NumLock status, a security password option, and selection of the system's APIC (Advanced Programmable Interrupt Controller) mode.

3.4.3 Advanced Chipset Features

From this setup page you can configure the size of the video controller's on-chip frame buffer, set up the controller's DVMT (Dynamic Video Memory Technology) mode and memory size, and specify what type of display will be used as the system's boot-up console output device.

DVMT is an advanced video controller function that dynamically allocates system memory to be used as video memory in order to efficiently use of available resources to maximize graphics performance. The DVMT-related BIOS settings configure the behavior of the DVMT function, including how much system memory is made available for video memory purposes.

The default display setting allows selection among CRT, LCD, CRT plus LCD (default), LVDS, TV out, or CRT plus LVDS devices. Other settings specify the resolution of devices connected to the LCD or TV output ports. The resolutions supported in each mode are listed below.

<i>Display Interface Port</i>	<i>Resolutions Supported</i>
CRT port	Up to 2048 x 1536 resolution
LCD port	640x480, 800x600, 1024x768, 1280x1024, 1400x1050, 1600x1200, 1280x768, 1680x1050, 1920x1200, 1204x678 (24-bit)
TV output	NTSC, PAL

3.4.4 Integrated Peripherals

This Setup section offers the ability to configure various onboard functions and peripheral controllers, including enable/disable, mode, and other options for the board's USB, audio, IDE, Serial ATA, floppy controller, serial, IR, and parallel ports.

A few of the available options include:

- Mode controls for faster IDE data transfer, including 33MB/sec Ultra DMA33 feature
- Onboard serial port mode, handshake, address, and interrupt channel selection
- USB controller
- Parallel port mode selection among SPP, EPP, ECP, ECP+EPP, or "normal", plus several settings relating to the EPP and ECP modes

3.4.5 Power Management Setup

Here, you can specify a host of options that regulate how the board's power management features behave. Included are options for enabling/disabling the board's ACPI (Advanced Configuration and Power Interface) capabilities, and specifying the degree and behavior of power management relative to the system's mass storage devices and display.

Additionally, this section of Setup provides several options for automatically powering up the system or resuming from a suspended state. These include:

- Power-up automatically following unexpected power loss
- Resume operation based on modem or LAN connection
- Resume operation based on RTC alarm
- Resume operation following one of several time intervals

3.4.6 PnP/PCI Configuration

This section of Setup provides options for configuration of devices connected to the ETX-945's PCI bus, including the choice between automatic "plug-and-play" (PnP) configuration of IRQ and DMA channel settings. If PnP is disabled, you can specify desired IRQ and DMA channels for PCI devices here.

3.4.7 Other Settings and Utilities

A few additional status and control functions are available from Setup's main menu. These include:

- CPU temperature status
- CPU cooling fan status
- CPU voltage status
- Reload default BIOS settings
- Set system boot password
- Exit Setup with or without saving changes

3.5 Operating System Drivers

Drivers for Windows XP and Linux 2.6, if required, are included on the Software and Documentation CD that is provided along with the ETX-945 or in its Development Kit. To locate the ETX-945 module's software drivers on the CD, view the index.html file in the CD's root directory, locate "Computer-on-Modules," and then click on "ETX-COMs." This software is also available for download from [Diamond's website](http://www.diamondsystems.com).

3.6 BIOS Beep Code List

<i>Beep Sound</i>	<i>Message</i>
1 short	System is booting normally
2 short	CMOS setting error
1 long + 1 short	DRAM error
1 long + 2 short	Display card or monitor connected error
1 long + 3 short	Keyboard error
1 long + 9 short	ROM error
long (continuous)	DRAM not inserted correctly
short (continuous)	Power supply problem

4. INTERFACE CONNECTOR DETAILS

This section describes the functions available on all of the ETX-945's bus and I/O interface connectors. The ETX 3.0 specification, which provides more detail regarding the signals present on the ETX1, ETX2, ETX3, and ETX4 connectors, is available from the ETX Industrial Group's website (<http://www.etx-ig.de/specs/specs.php>). Also available from that site is the latest ETX Design Guide, which provides further details on the ETX connector signal functions and interface considerations. Several other relevant specifications are referenced below.

4.1 ETX1 Connector

The 100-pin, high-density ETX1 connector implements the board's PCI bus, USB, and audio signals, as indicated in the table below. Further information regarding each of these signal groups follows the table. (Note: Pins designated "RESERVED" should be left unconnected.)

GND	1	2	GND	VCC	51	52	VCC
PCICLK3	3	4	PCICLK4	PAR	53	54	SERR#
GND	5	6	GND	GPERR#	55	56	RESERVED
PCICLK1	7	8	PCICLK2	PME#	57	58	USB2-
REQ3#	9	10	GNT3#	LOCK#	59	60	DEVSEL#
GNT2#	11	12	3V	TRDY#	61	62	USB3-
REQ2#	13	14	GNT1#	IRDY#	63	64	STOP#
REQ1#	15	16	3V	FRAME#	65	66	USB2+
GNT0#	17	18	RESERVED	GND	67	68	GND
VCC	19	20	VCC	AD16	69	70	CBE2#
SERIRQ	21	22	REQ0#	AD17	71	72	USB3+
AD0	23	24	3V	AD19	73	74	AD18
AD1	25	26	AD2	AD20	75	76	USB0-
AD4	27	28	AD3	AD22	77	78	AD21
AD6	29	30	AD5	AD23	79	80	USB1-
CBE0#	31	32	AD7	AD24	81	82	CBE3#
AD8	33	34	AD9	VCC	83	84	VCC
GND	35	36	GND	AD25	85	86	AD26
AD10	37	38	AUXAL	AD28	87	88	USB0+
AD11	39	40	MIC	AD27	89	90	AD29
AD12	41	42	AUXAR	AD30	91	92	USB1+
AD13	43	44	ASVCC	PCIRST#	93	94	AD31
AD14	45	46	SNDL	INTC#	95	96	INTD#
AD15	47	48	ASGND	INTA#	97	98	INTB#
CBE1#	49	50	SNDR	GND	99	100	GND

4.1.1 PCI bus signals

This set of pins implements the module's PCI expansion bus. For further information regarding the functions of the PCI bus signals, refer to the PCI Bus Specification, available from the PCI Special Interest Group (<http://www.pcisig.com/specifications>).

Signal Name	Signal function	Direction
PCICLK1-4	PCI clock outputs for external PCI devices	Out
REQ0-3#	Bus Request signals of PCI Masters	In
GNT0-3#	Grant signals to PCI Masters	Out
AD0-31	PCI address and data bus signals	In/Out
CBE0-3#	PCI Bus command and byte enables	In/Out
PAR	PCI bus parity bit	In
SERR#	System Error or PCI Clock RUN	In/Out
GPERR#	Parity Error	In/Out
PME#	Power management event	In/Out
LOCK#	Lock resource signal	In/Out
DEVSEL#	Device select	In/Out
TRDY#	Target ready	In/Out
IRDY#	Initiator ready	In/Out
STOP#	Stop	In/Out
FRAME#	Cycle frame	In/Out
PCIRST#	PCI bus reset	Out
INTA#	PCI interrupt A	In
INTB#	PCI interrupt B	In
INTC#	PCI interrupt C	In
INTD#	PCI interrupt D	In

4.1.2 USB signals

These pins provide connections to the board's four USB channels. For further information regarding the functions of the USB signals listed above, refer to the USB 2.0 Specification, available from the USB Implementers Forum (<http://www.usb.org>).

Signal Name	Signal Function	Direction
USB0+	USB Port 0 data +	In/Out
USB0-	USB Port 0 data -	In/Out
USB1+	USB Port 1 data +	In/Out
USB1-	USB Port 1 data -	In/Out
USB2+	USB Port 2 data +	In/Out
USB2-	USB Port 2 data -	In/Out
USB3+	USB Port 3 data +	In/Out
USB3-	USB Port 3 data -	In/Out

4.1.3 Audio interface

These pins carry stereo audio input and output as indicated.

Signal Name	Signal Function	Direction
SNDL	Line-level stereo output left; drives a 5k ohm load	Out
SNDR	Line-level stereo output right; drives a 5k ohm load	Out
AUXAL	Auxiliary A input left	In
AUXAR	Auxiliary A input right	In
MIC	Microphone input	In
ASGND	Analog ground	n/a
ASVCC	Power supply for audio controller	n/a

4.1.4 Miscellaneous functions

These pins carry power and ground signals and an interrupt request as indicated.

Signal Name	Signal Function	Direction
VCC	+5V \pm 5% DC power input	In
GND	Power ground	n/a
3V	+3.3V \pm 5% supply generated on the ETX module, for powering external devices (500mA max. external load)	Out
RESERVED	Do not connect	n/a
SERIRQ	Serial interrupt request	In

Caution: Do not connect the 3V pins (pins 12 and 16) of EXT1 to an external power source!

4.2 ETX2 Connector

The 100-pin, high-density ETX2 connector implements the board's ISA bus signals, as indicated in the table below. For further information on the module's ISA bus signals, refer to the ETX 3.0 Specification.

GND	1	2	GND	VCC	51	52	VCC
SD14	3	4	SD15	SA6	53	54	IRQ5
SD13	5	6	MASTER#	SA7	55	56	IRQ6
SD12	7	8	DREQ7	SA8	57	58	IRQ7
SD11	9	10	DACK7#	SA9	59	60	SYSCLK
SD10	11	12	DREQ6	SA10	61	62	REFSH#
SD9	13	14	DACK6#	SA11	63	64	DREQ1
SD8	15	16	DREQ5	SA12	65	66	DACK1#
MEMW#	17	18	DACK5#	GND	67	68	GND
MEMR#	19	20	DREQ0	SA13	69	70	DREQ3
LA17	21	22	DACK0#	SA14	71	72	DACK3#
LA18	23	24	IRQ14	SA15	73	74	IOR#
LA19	25	26	IRQ13	SA16	75	76	IOW#
LA20	27	28	IRQ12	SA18	77	78	SA17
LA21	29	30	IRQ11	SA19	79	80	SMEMR#
LA22	31	32	IRQ10	IOCHRDY	81	82	AEN
LA23	33	34	IO16#	VCC	83	84	VCC
GND	35	36	GND	SD0	85	86	SMEMW
SBHE#	37	38	M16#	SD2	87	88	SD1
SA0	39	40	OSC	SD3	89	90	NOWS#
SA1	41	42	BALE	DREQ2	91	92	SD4
SA2	43	44	TC	SD5	93	94	IRQ9
SA3	45	46	DACK2#	SD6	95	96	SD7
SA4	47	48	IRQ3	IOCHK#	97	98	RSTDRV
SA5	49	50	IRQ4	GND	99	100	GND

4.3 ETX3 Connector

The 100-pin ETX3 connector implements VGA, LCD (LVDS), TV-video, serial, parallel, floppy, mouse, and keyboard signals. Because pins 51-100 are shared between floppy and parallel port functions, dual signal assignments are indicated in the illustration below. Further information regarding each of these signal groups follows. (Note: Pins designated "RESERVED" should be left unconnected.)

GND	1	2	GND	LPT/FLP#	51	52	RESERVED
R	3	4	B	VCC	53	54	GND
HSY	5	6	G	STB#/RESERVED	55	56	AFD#/DENSEL
VSY	7	8	DDCK	RESERVED	57	58	PD7/RESERVED
DETECT#	9	10	DDDA	IRRX	59	60	ERR#/HDSEL#
LCDDO16	11	12	LCDDO18	IRTX	61	62	PD6/RESERVED
LCDDO17	13	14	LCDDO19	RXD2	63	64	INIT#/DIR#
GND	15	16	GND	GND	65	66	GND
LCDDO13	17	18	LCDDO15	RTS2#	67	68	PD5/RESERVED
LCDDO12	19	20	LCDDO14	DTR2#	69	70	SLIN#/STEP#
GND	21	22	GND	DCD2#	71	72	PD4/DSKCHG#
LCDDO8	23	24	LCDDO11	DSR2#	73	74	PD3/RDATA#
LCDDO9	25	26	LCDDO10	CTS2#	75	76	PD2/WP#
GND	27	28	GND	TXD2	77	78	PD1/TRK0#
LCDDO4	29	30	LCDDO7	RI2#	79	80	PD0/INDEX#
LCDDO5	31	32	LCDDO6	VCC	81	82	VCC
GND	33	34	GND	RXD1	83	84	ACK#/DRV
LCDDO1	35	36	LCDDO3	RTS1#	85	86	BUSY/MOT
LCDDO0	37	38	LCDDO2	DTR1#	87	88	PE/WDATA#
VCC	39	40	VCC	DCD1#	89	90	SLCT/WGATE#
JILI_DAT	41	42	LTGIO0	DSR1#	91	92	MSCLK
JILI_CLK	43	44	BLON#	CTS1#	93	94	MSDAT
BIASON	45	46	DIGON	TXD1	95	96	KBCLK
COMP	47	48	Y	RI1#	97	98	KBDAT
SYNC	49	50	C	GND	99	100	GND

4.3.1 Analog video output

These pins provide video, clock, and sync information for display on analog CRTs, or on LCD flat panels that are compatible with analog CRT timings, as indicated.

Signal Name	Signal Function	Direction
HSY	Horizontal sync	Out
VSY	Vertical sync	Out
R	Red video output	Out
G	Green video output	Out
B	Blue video output	Out
DDCK	Display Data Channel Clock for DDC interface between the board's graphics controller and a monitor	In/Out
DDDA	Display Data Channel Data for DDC interface between the board's graphics controller and a monitor	In/Out

4.3.2 TV video output

These pins carry video and timing data for graphical display on a TV device, as indicated.

Signal Name	Signal Function	Direction
SYNC	Composite Sync for SCART PAL TVs with EURO AV compatible connectors; alternately usable for video-related I/O	In/Out
Y	Luminance for S-Video; alternately Red for RGB video	Out
C	Chrominance for S-Video; alternately Green for RGB video	Out
COMP	Composite Video; alternately Blue for RGB video	Out

4.3.3 LCD interface

These pins carry data for graphical display on an LCD panel, as indicated.

Signal Name	Signal Function	Direction
BIASON	Controls display contrast voltage	Out
DIGON	Controls digital power to LCD	Out
BLON#	Controls backlight power to LCD	Out
LCD0-LCD19	LVDS channel data 0-19	Out
DETECT#	Panel hot-plug detection	In
FPDDC_CLK DDC	DDC signals for flat panel detection and control	Out
FPDDC_DAT DDC	DDC signals for flat panel detection and control	In/Out

4.3.4 Serial port interfaces

These pins carry data and control information to/from the board's two serial ports, as indicated. These pins provide logic-level signaling, and require external I/O buffering if RS-232, RS-422, or RS-485 signaling is desired.

Signal Name	Signal Function	Direction
DTR1#, DTR2#	Data terminal ready outputs from serial ports 1 and 2	Out
RI1#, RI2#	Ring indicator inputs for serial ports 1 and 2	In
TXD1, TXD2	Transmit data outputs from serial ports 1 and 2	Out
RXD1, RXD2	Receive data inputs for serial ports 1 and 2	In
CTS1#, CTS2#	Clear to send signal inputs for serial ports 1 and 2	In
RTS1#, RTS2#	Request to send outputs from serial ports 1 and 2	Out
DCD1#, DCD2#	Data carrier detected inputs for serial ports 1 and 2	In
DSR1#, DSR2#	Data set ready inputs for serial ports 1 and 2	In

4.3.5 Keyboard, mouse, and infrared transceiver interfaces

These pins carry data and clock signals associated with the board's PS2 keyboard and mouse ports. Additionally, transmit and receive data to/from an IR device, can be routed as indicated.

Signal Name	Signal Function	Direction
KBDAT	Data to/from keyboard.	In/Out
KBCLK	Clock signal to keyboard	Out
MSDAT	Data to/from mouse	In/Out
MSCLK	Clock signal to mouse.	Out
IRTX	Infrared transmit data	Out
IRRX	Infrared receive data	In

4.3.6 Parallel port interface

These pins carry data and control information to/from the board's bidirectional parallel port, as indicated.

Signal Name	Signal Function	Direction
LPT/FLPY#	Interface configuration input	In
STB#	Printer data strobe	Out
AFD#	Automatic line feed request	Out
PD0-7	Bidirectional parallel data bus	In/Out
ERR#	Printer error	In
INIT#	Printer initialization control	Out
SLIN#	Printer select control	Out
ACK#	Printer ready to receive data	In
BUSY	Printer busy	In
PE	Printer out of paper	In
SLCT	Printer power on	In

Note: These pins are shared with the board's floppy drive controller function, under control of the LPT/FLPY# input signal. When that signal is left unconnected or held high, the port is placed in parallel-port mode.

4.3.7 Floppy drive interface

These pins carry data and control information to/from the board's floppy drive controller, as indicated.

Signal Name	Signal Function	Direction
LPT/FLPY#	Interface configuration input	In
RESERVED	Do not connect	n/a
DENSEL	Diskette data density select	Out
INDEX#	Index hole indicator	In
TRK0#	Track 0 indicator	In
WP#	Write-protect indicator	In
RDATA#	Read data from drive	In
DSKCHG#	Drive door opened indicator	In
HDSEL#	Head select 0/1 control	Out
DIR#	Step head step direction control	Out
STEP#	Step pulse control	Out
DRV	Drive select control	Out
MOT#	Drive motor activation control	Out
WDATA#	Write data to drive	Out
WGATE#	Write enable control	Out

Note: These pins are shared with the board's bidirectional parallel port function, under control of the LPT/FLPY# input signal. When that signal is left unconnected or held high, the port is placed in parallel-port mode.

4.3.8 Miscellaneous functions

These pins carry power and ground signals and a GPIO signal, as indicated.

<i>Signal Name</i>	<i>Signal Function</i>	<i>Direction</i>
VCC	+5V \pm 5% DC power input	In
GND	Power ground	In/Out
RESERVED	Do not connect	n/a
LTGPIO	General purpose I/O	In/Out

4.4 ETX4 Connector

The 100-pin ETX4 connector implements the board's IDE, Ethernet, and a number of other signals, as indicated in the table below. Further information regarding each of these signal groups follows the table.

GND	1	2	GND	SIDE_IOW#	51	52	PIDE_IOR#
5V_SB	3	4	PWGIN	SIDE_DRQ	53	54	PIDE_IOW#
PS_ON#	5	6	SPEAKER	SIDE_D15	55	56	PIDE_DRQ
PWRBTN#	7	8	BATT	SIDE_D0	57	58	PIDE_D15
KBINH#	9	10	LILED#	SIDE_D14	59	60	PIDE_D0
RSMRST#	11	12	ACTLED#	SIDE_D1	61	62	PIDE_D14
ROMKBCS#	13	14	SPEEDLED#	SIDE_D13	63	64	PIDE_D1
EXT_PRG	15	16	I2CLK	GND	65	66	GND
VCC	17	18	VCC	SIDE_D2	67	68	PIDE_D13
OVCR#	19	20	GPCS#	SIDE_D12	69	70	PIDE_D2
EXTSMI#	21	22	I2DAT	SIDE_D3	71	72	PIDE_D12
SMBCLK	23	24	SMBDATA	SIDE_D11	73	74	PIDE_D3
SIDE_CS3#	25	26	SMBALRT#	SIDE_D4	75	76	PIDE_D11
SIDE_CS1#	27	28	DASP_S	SIDE_D10	77	78	PIDE_D4
SIDE_A2	29	30	PIDE_CS3#	SIDE_D5	79	80	PIDE_D10
SIDE_A0	31	32	PIDE_CS1#	VCC	81	82	VCC
GND	33	34	GND	SIDE_D9	83	84	PIDE_D5
PDIAG_S	35	36	PIDE_A2	SIDE_D6	85	86	PIDE_D9
SIDE_A1	37	38	PIDE_A0	SIDE_D8	87	88	PIDE_D6
SIDE_INTRQ	39	40	PIDE_A1	GPE2#	89	90	CBLID_P#
BATLOW#	41	42	GPE1#	RXD#	91	92	PIDE_D8
SIDE_AK#	43	44	PIDE_INTRQ	RXD	93	94	SIDE_D7
SIDE_RDY	45	46	PIDE_AK#	TXD#	95	96	PIDE_D7
SIDE_IOR#	47	48	PIDE_RDY	TXD	97	98	HDRST#
VCC	49	50	VCC	GND	99	100	GND

4.4.1 IDE interfaces

These pins carry data and control information to/from the board's IDE drive controller, as indicated.

Signal Name	Signal Function	Direction
PIDE_D0-15	Primary IDE ATA bidirectional data bus	In/Out
PIDE_A0-2	Primary IDE ATA address bus	Out
PIDE_CS1#	Primary IDE chip select 1	Out
PIDE_CS3#	Primary IDE chip select 3	Out
PIDE_DRQ	Primary IDE DMA Request for IDE Master	In
PIDED_AK#	Primary IDE DACK# for IDE Master	Out
PIDE_RDY	Primary IDE Ready	In
PIDE_IOR#	Primary IDE IOR# command; function differs in Ultra-33 mode	Out
PIDE_IOW#	Primary IDE IOW# command; function differs in Ultra-33 mode	Out
PIDE_INTRQ	Primary channel interrupt request	In/Out
SIDE_D0-15	Secondary IDE ATA bidirectional data bus	In/Out
SIDE_A0-2	Secondary IDE ATA address bus	Out
SIDE_CS1#	Secondary IDE chip select 1	Out
SIDE_CS3#	Secondary IDE chip select 3	Out
SIDE_DRQ	Secondary IDE DMA Request for IDE Master	In
SIDED_AK#	Secondary IDE DACK# for IDE Master	Out
SIDE_RDY	Secondary IDE Ready	In
SIDE_IOR#	Secondary IDE IOR# command; function differs in Ultra-33 mode	Out
SIDE_IOW#	Secondary IDE IOW# command; function differs in Ultra-33 mode	Out
SIDE_INTRQ	Secondary channel interrupt request	In
DASP_S	Drive active or slave present on Secondary IDE channel	Out
PDIAG_S	Slave diagnostic passed indicator; function differs in DMA66 or DMA100 modes	In
HDRST#	Drive hardware reset	Out
CBLID_P#	Detects 80-conductor IDE cable on primary IDE channel	In

4.4.2 Ethernet port

The ETX-945's 10/100Mbps Ethernet LAN interface signals on connector ETX4 require the use of an external 1:1 transformer. The ETX 3.0 specification provides further details regarding the transformer's requirements.

Signal Name	Signal Function	Direction
TXD#, TXD	Transmit data differential pair	Out
RXD#, RXD	Receive data differential pair	In
ACTLED#	Data transmit/receive activity LED (on = data activity)	Out
LILED#	Link Integrity LED (on = link valid)	Out
SPEEDLED#	Speed LED (on = 100Mbps, off = 10Mbps)	Out

4.4.3 Power control and management

These pins support various power management and control functions, in conjunction with the board's ACPI BIOS functionality and system management embedded controller.

Signal Name	Signal Function	Direction
PWGIN	Power good input (power supply is ready)	In
5V_SB	+5V +/- 5% DC power input for suspend mode	In
PS_ON#	Signals power supply to remove all power except 5V_SB	Out
PWRBTN#	Power Button signal; supports ACPI Power Button function	In
RSMRST#	Resume Reset; resets internal power management logic	In
SMBALRT#	System Management Bus Alert from SM bus devices	In
BATLOW#	Battery low signal	In
GPE1#, GPE2#	General purpose power management event inputs	In
EXTSMI#	System management interrupt	In

4.4.4 Miscellaneous signals

These pins implement the ETX-945's I²C and SMBus interfaces, PC-speaker output, and RTC/CMOS backup power input.

Signal Name	Signal Function	Direction
SPEAKER	This logic-level signal can drive a piezoelectric speaker (typically via a transistor)	O
BATT	2.4V to 3.3V DC backup power input for RTC and CMOS RAM; typically connects to an external 3V lithium cell	In
I2CLK	Bidirectional I ² C Bus clock signal	I/O
I2DAT	Bidirectional I ² C Bus data signal	I/O
SMBCLK	Bidirectional SM Bus clock signal	I/O
SMBDATA	Bidirectional SM Bus data signal	I/O
KBINH#	Keyboard inhibit signal	In
OVCR#	USB over-current detected	In
ROMKBCS#	Reserved; do not connect	n/a
EXT_PRG	Reserved; do not connect	n/a
GPCS#	Reserved; do not connect	n/a

4.5 SATA Connectors

The ETX-945 provides two SATA (Serial ATA) drive interfaces on a pair of 7-pin connectors located on the top side of the board. The position and pinout of each of these connectors is compliant with the ETX 3.0 Specification. The signal assignment appears below.

1	GND
2	TX+
3	TX-
4	GND
5	RX+
6	RX-
7	GND

5. APPENDIX: SYSTEM RESOURCES REFERENCE

5.1 BIOS Memory Mapping

<i>Address</i>	<i>Device Description</i>
E000:0000h - F000:FFFFh	System BIOS Area
D000:2000h - D000:FFFFh	Free space
D000:0000h - D000: FFFh	LAN ROM
C000:E000h - CF00:FFFFh	Free space
C000:0000h - C000:DFFFh	VGA BIOS
A000:0000h - B000:FFFFh	VGA RAM
0000:0000h - 9000:FFFFh	DOS 640K

5.2 I/O Port Address Map

Each peripheral device in the system is assigned a set of I/O port addresses, which also become the identity of the device. The following table lists the I/O port addresses used:

Address	Device Description
00000000 - 00000007	DMA Controller
00000000 - 00000CF7	PCI bus
00000010 - 0000001F	Motherboard Resource
00000020 - 00000021	Programmable Interrupt Controller
00000022 - 0000003F	Motherboard Resource
00000040 - 00000043	System Timer
00000044 - 0000005F	Motherboard Resource
00000060 - 00000060	Standard 0 / 02-Key or Microsoft Natural PS/2 Keyboard
00000061 - 00000061	System Speaker
00000062 - 00000063	Motherboard Resource
00000064 - 00000064	Standard 0 / 02-Key or Microsoft Natural PS/2 Keyboard
00000065 - 0000006F	Motherboard Resource
00000070 - 00000073	System CMOS/real time clock
00000074 - 0000007F	Motherboard Resource
00000080 - 00000090	DMA Controller
00000091 - 00000093	Motherboard Resource
00000094 - 0000009F	DMA Controller
000000A0 - 000000A1	Programmable Interrupt Controller
000000A2 - 000000BF	Motherboard Resource
000000C0 - 000000DF	DMA Controller
000000E0 - 000000EF	Motherboard Resource
000000F0 - 000000FF	Numeric Data Processor
000001F0 - 000001F7	Primary IDE Channel
00000274 - 00000277	ISAPNP Read Data Port
00000279 - 00000279	ISAPNP Read Data Port
00000294 - 00000297	Motherboard Resource

000002E8 - 000002EF	Communications Port (COM4)
000002F8 - 000002FF	Communications Port (COM2)
00000378 - 0000037F	Printer Port (LPT)
000003B0 - 000003BB	Mobile Intel 94 Express Chipset Family
000003C0 - 000003DF	Mobile Intel 94 Express Chipset Family
000003E8 - 000003EF	Communications Port (COM3)
000003F6 - 000003F6	Primary IDE Channel
000003F8 - 000003FF	Communications Port (COM)
00000400 - 000004BF	Motherboard Resource
000004D0 - 000004D1	Motherboard Resource
00000500 - 0000051F	Intel 8280 G (ICH7 Family) SMBus Controller - 27DA
00000680 - 000006FF	Motherboard Resource
00000778 - 0000077B	Printer Port (LPT)
00000880 - 0000088F	Motherboard Resource
00000A78 - 00000A7B	Motherboard Resource
00000BBC - 00000BBF	Motherboard Resource
00000BBC - 00000BBF	Motherboard Resource
00000D00 - 0000FFFF	PCI bus
00000E78 - 00000E7B	Motherboard Resource
00000F78 - 00000F7B	Motherboard Resource
00000FBC - 00000FBF	Motherboard Resource
0000B000 - 0000BFFF	Intel 8280 G (ICH7 Family) PCI Express Root Port - 27D4
0000C000 - 0000CFFF	Intel 8280 G (ICH7 Family) PCI Express Root Port - 27D0
0000DF00 - 0000DF3F	Intel PRO/ 00 VE Network Connection
0000F000 - 0000F0FF	Realtek AC'97 Audio
0000F300 - 0000F30F	Intel 8280 GBM/GHM (ICH7-M Family) Serial ATA Storage Controller - 27C4
0000F400 - 0000F40F	Intel 8280 GBM/GHM (ICH7-M Family) Serial ATA Storage Controller - 27C4
0000F500 - 0000F50F	Intel 8280 GBM/GHM (ICH7-M Family) Serial ATA Storage Controller - 27C4

5.3 Interrupt Request (IRQ) Lines

Peripheral devices use interrupt request lines to notify CPU when services are required. The table below lists the interrupt request channels used by the ETX-945's onboard devices.

<i>IRQ Level</i>	<i>Function</i>
IRQ 01	Standard 0 / 02-Key or Microsoft Natural PS/2 Keyboard
IRQ 03	Communications Port
IRQ04	Communications Port
IRQ 08	System CMOS/real time clock
IRQ 09	Microsoft ACPI-Compliant System
IRQ 10	Communications Port
IRQ 11	Communications Port
IRQ 12	PS/2 Compatible Mouse
IRQ 13	Math Coprocessor
IRQ 14	Primary IDE Channel
IRQ 15	Intel 8280 G (ICH7 Family) SMBus Controller - 27DA
IRQ 16	Intel 8280 G (ICH7 Family) PCI Express Root Port - 27D0
IRQ 16	Intel 8280 G (ICH7 Family) USB Universal Host Controller - 27CB
IRQ 16	Mobile Intel 94 GM Express Chipset Family
IRQ 17	Realtek AC'97 Audio
IRQ 18	Intel 8280 G (ICH7 Family) PCI Express Root Port - 27D4
IRQ 18	Intel 8280 G (ICH7 Family) USB Universal Host Controller - 27CA
IRQ 19	Intel 8280 G (ICH7 Family) USB Universal Host Controller - 27C9
IRQ 19	Intel 8280 G (ICH7-M Family) Serial ATA Storage Controller - 27C4
IRQ 19	Intel 8280 G (ICH7 Family) USB Universal Host Controller - 27C9
IRQ 20	Intel PRO/ 00 VE Network Connection
IRQ 23	Intel 8280 G (ICH7 Family) USB Universal Host Controller - 27C8
IRQ 23	Intel 8280 G (ICH7 Family) USB2 Enhanced Host Controller - 27CC

5.4 BIOS POST Codes

The POST codes used by the ETX-945's on-board BIOS appear in the table below.

Code	Function
CFh	Test CMOS read/write functionality
C0h	Early chipset initialization: Disable shadow RAM, L2 cache (socket 7 and below), program basic chipset registers
C1h	Detect memory: Auto detection of DRAM size, type and ECC, auto detection of L2 cache (socket 7 and below)
C3h	Expand compressed BIOS code to DRAM
C5h	Call chipset hook to copy BIOS back to E000 & F000 shadow RAM
01h	Expand the Xgroup codes located in physical memory address 000:0
02h	Reserved
03h	Initial Super I/O_Early Init switch
04h	Reserved
05h	Blank out screen; Clear CMOS error flag
06h	Reserved
07h	Clear 8042 interface; Initialize 8042 self test
08h	Test special keyboard controller for Winbond 977 series Super I/O chips; enable keyboard interface
09h	Reserved
0Ah	Disable PS/2 mouse interface (optional); auto-detect ports for keyboard and mouse followed by a port and interface swap (optional); reset keyboard for Winbond 977 series Super I/O chips
0Bh-0Dh	Reserved
0Eh	Test F000h segment shadow to see whether it is read/write capable or not. If test fails, keep beeping the speaker
0Fh	Reserved
10h	Auto detect flash type to load appropriate flash read/write codes into the run time area in F000 for ESCD & DMI support
11h	Reserved
12h	Use "walking 1's" algorithm to check out interface in CMOS circuitry. Also set real time clock power status and then check for override
13h	Reserved

14h	Program chipset default values into chipset. Chipset default values are MODBINable by OEM customers
15h	Reserved
16h	Initial Early_Init_Onboard_Generator switch
17h	Reserved
18h	Detect CPU information including brand, SMI type (Cyrix or Intel) and CPU level (86 or 686)
19-1Ah	Reserved
1Bh	Initial interrupts vector table. If no special specified, all H/W interrupts are directed to SPURIOUS_INT_HDLR & S/W interrupts to SPURIOUS_soft_HDLR
1Ch	Reserved
1Dh	Initial EARLY_PM_INIT switch
1Eh	Reserved
1Fh	Load keyboard matrix (notebook platform)
20h	Reserved
21h	HPM initialization (notebook platform)
22h	Reserved
23h	Check validity of RTC value; Load CMOS settings into BIOS stack. If CMOS checksum fails, use default value instead; Prepare BIOS resource map for PCI & PnP use. If ESCD is valid, take into consideration of the ESCD's legacy information; Onboard clock generator initialization. Disable respective clock resource to empty PCI & DIMM slots; Early PCI initialization - Enumerate PCI bus number, assign memory & I/O resource, search for a valid VGA device & VGA BIOS, and put it into C000:0
24-26h	Reserved
27h	Initialize INT 09 buffer
28h	Reserved
29h	Program CPU internal MTRR (P6 & PII) for 0-640K memory address; Initialize the APIC for Pentium class CPU; Program early chipset according to CMOS setup; Measure CPU speed; Invoke video BIOS
2A-2Ch	Reserved
2Dh	Initialize multilanguage; put information on screen display, including Award title, CPU type, CPU speed, etc.
2E-32h	Reserved
33h	Reset keyboard except Winbond 977 series Super I/O chips

34-3Bh	Reserved
3Ch	Test 82 4
3Dh	Reserved
3Eh	Test 82 9 interrupt mask bits for channel
3Fh	Reserved
40h	Test 92 9 interrupt mask bits for channel 2
41-42h	Reserved
43h	Test 82 9 functionality
44-46h	Reserved
47h	Initialize EISA slot
48h	Reserved
49h	Calculate total memory by testing the last double last word of each 64K page; Program writes allocation for AMD K CPU
4A-4Dh	Reserved
4Eh	Program MTRR of M CPU; initialize L2 cache for P6 class CPU and program cacheable range; Initialize the APIC for P6 class CPU; On MP platform, adjust the cacheable range to smaller one in case the cacheable ranges between each CPU are not identical
4Fh	Reserved
50h	Initialize USB
51h	Reserved
52h	Test all memory (clear all extended memory to 0)
53-54h	Reserved
55h	Display number of processors (multi-processor platform)
56h	Reserved
57h	Display PnP logo; Early ISA PnP initialization and assign CSN to every ISA PnP device
58h	Reserved
59h	Initialize the combined Trend Anti-Virus code
5Ah	Reserved
5Bh	Show message for entering AWDFLASH.EXE from FDD (optional feature)
5Ch	Reserved

5Dh	Initialize Init_Onboard_Super_IO switch; Initialize Init_Onboard_AUDIO switch
5E-5Fh	Reserved
60h	Okay to enter Setup utility
61-64h	Reserved
65h	Initialize PS/2 mouse
66h	Reserved
67h	Prepare memory size information for function call: INT h ax=E820h
68h	Reserved
69h	Turn on L2 cache
6Ah	Reserved
6Bh	Program chipset registers according to items described in Setup and Auto-Configuration table
6Ch	Reserved
6Dh	Assign resources to all ISA PnP devices; Auto assign ports to onboard COM ports if the corresponding item in Setup is set to "AUTO"
6Eh	Reserved
6Fh	Initialize floppy controller; Setup floppy related fields in 40:hardware
70-72h	Reserved
73h	Enter AWDFLASH.EXE if: AWDFLASH.EXE is found in floppy drive and ALT+F2 is pressed
74h	Reserved
75h	Detect and install all IDE devices: HDD, LS 20, ZIP, CDROM...
76h	Reserved
77h	Detect serial ports and parallel ports
78-79h	Reserved
7Ah	Detect and install coprocessor
7B-7Eh	Reserved
7Fh	Switch back to text mode if full screen logo is supported: if errors occur, report errors & wait for keys, if no errors occur or F1 key is pressed continue - Clear EPA or customization logo
80-81h	Reserved

82H	Call chipset power management hook: Recover the text fond used by EPA logo (not for full screen logo), If password is set, ask for password
83H	Save all data in stack back to CMOS
84h	Initialize ISA PnP boot devices
85h	Final USB initialization; NET PC: Build SYSID structure; Switch screen back to text mode; Set up ACPI table at top of memory; Invoke ISA adapter ROMs; Assign IRQs to PCI devices; Initialize APM; Clear noise of IRQs
86-92h	Reserved
93h	Read HDD boot sector information for Trend Anti-Virus code
94h	Enable L2 cache; Program boot up speed; Chipset final initialization; Power management final initialization; Clear screen and display summary table; Program K6 write allocation; Program P6 class write combining
95h	Program daylight saving; update keyboard LED and typematic rate
96h	Build MP table; Build and update ESCD; Set CMOS century to 20h or 19h; Load CMOS time into DOS timer tick; Build MSIRQ routing table
FFh	Boot attempt (INT 19h)
