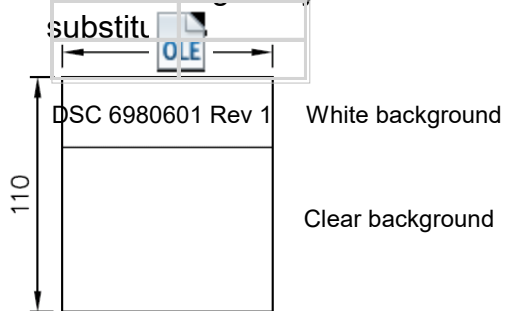


Notes: Flat cable PIN 1, 2, 7, 8, 10, 11, 16, 17 cut off

Label Details
Similar design may be



WIRING CHART

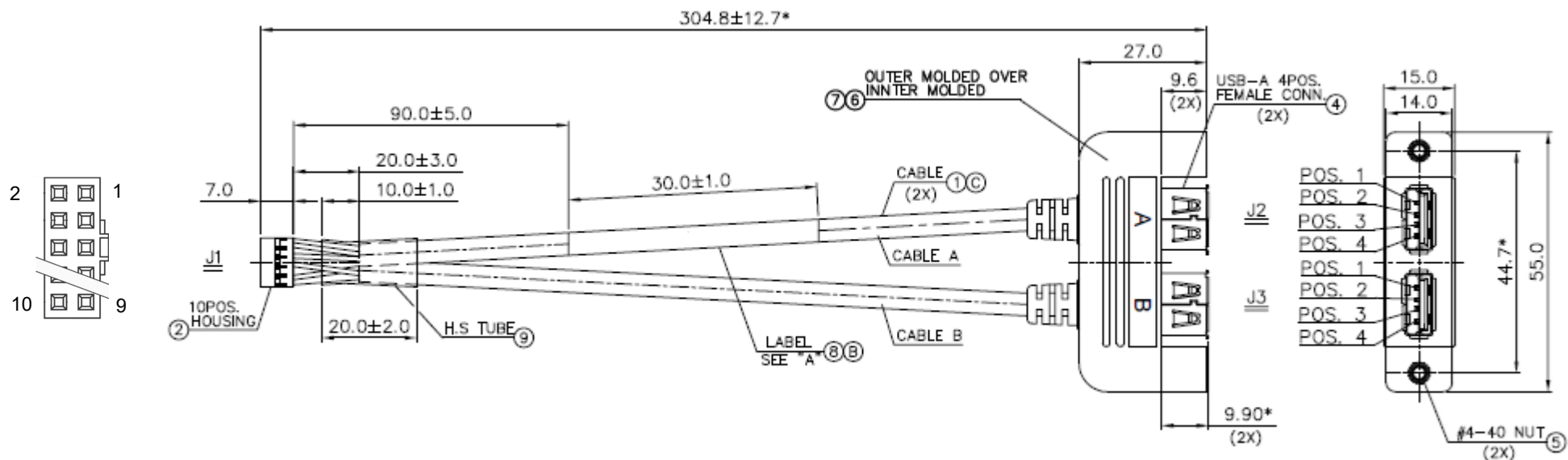
A	COLOR	B	C	
1	RED	3		FLAT CABLE LINE 5
2	GRAY	7		FLAT CABLE LINE 4
3	GRAY	2		FLAT CABLE LINE 3
4	GRAY	8		FLAT CABLE LINE 6
5	GRAY	5		FLAT CABLE LINE 9
6	GRAY		5	FLAT CABLE LINE 18
7	GRAY		3	FLAT CABLE LINE 14
8	GRAY		7	FLAT CABLE LINE 13
9	GRAY		2	FLAT CABLE LINE 12
10	GRAY		8	FLAT CABLE LINE 15

NO.	ITEM.	Q'TY	DESCRIPTION	UL No.
1	WIRE:	1PCS	UL2651 #28 18P GREY PH:1.27MM	E209329
2	HOUSING:	1PCS	CONN HOUSING 10POS 2MM W/KEY P/N: 10073599-	E144544
3	TERMINAL:	10PCS	CONN TERM FEMALE 26-30AWG CRIM P/N: 77138-001LF	
4	CONN:	2PCS	6224-09-MNB02 IDC D-SUB 09 MALE BLACK PBT UL94V-0 WITH STRAIN RELIEF	
5	SCREW:	4PCS	HEX NUT #4-40UNC	
6	LABEL:	1PCS	TRANSPARENT POLYESTER SEE DETAIL "A"	

- NOTES:
1. ALL DIMENSIONS ARE "MM".
 2. THE PRODUCT MUST BE COMPLY WITH THE DIRECTIVE OF ROHS.
 3. PACKAGE: 1PC/BAG.

Cable no. 6980601 Rev A
Dual Serial Port cable, Latching 2x5
2mm to Dual DB9M



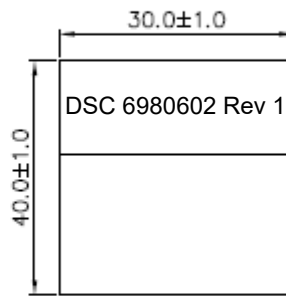


NOTES:

1. ALL DIMENSIONS ARE "MM".
2. ANY OPEN, MISWIRING, SHORT & INTERMITTENT ARE NOT PERMITTED.
3. INSULATION RESISTANCE: 20M OHMS/300V DC MIN.
- ⚠ THE PRODUCT MUST BE COMPLY WITH THE DIRECTIVE OF RoHS.

SHELL	3/4 BRAID		1	1/4 BRAID & DRAIN WIRE		SHELL
	1/4 BRAID & DRAIN WIRE			3/4 BRAID		
4	BLACK		3			
3	GREEN	TWSIT PAIR	5			
2	WHITE	PAIR	7			
1	RED		9			
			4	BLACK		4
			6	GREEN	TWSIT PAIR	3
			8	WHITE	PAIR	2
			10	RED		1
J3	CABLE B		J1	CABLE A		J2

WIRE CONNECTION TABLE (C)



DETAIL "A"
SCALE 1:1

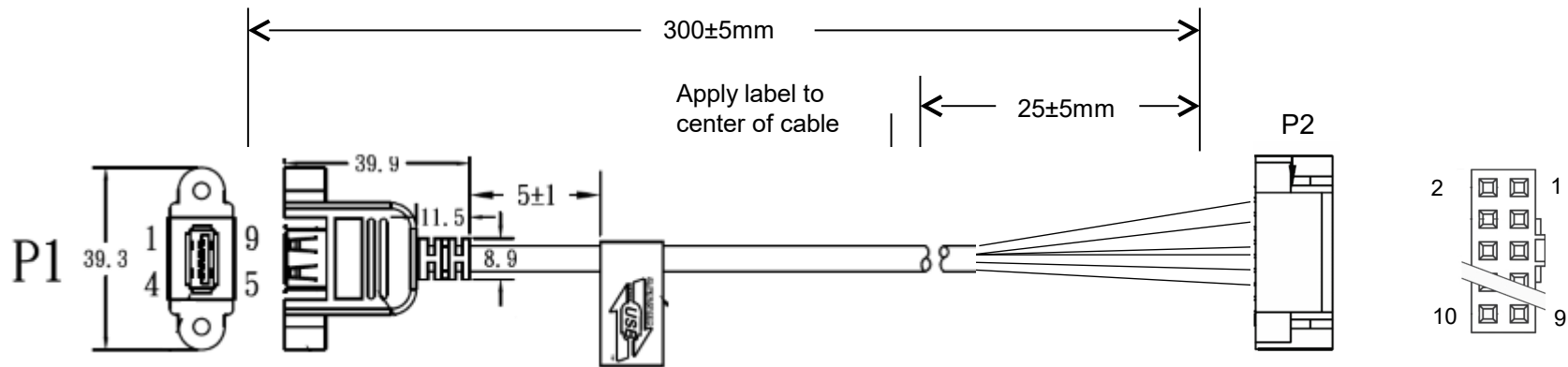


No.	ITEM	Q'TY	DESCRIPTION	PART NO.
9	H.S TUBE	1PC	I.D=#1.5MM UL224 COLOR: BLACK L=23.0MM	061-002-063
		2PCS	I.D=#1.5MM UL224 COLOR: BLACK L=10.0MM	
		1PC	I.D=#10.0MM UL224 COLOR: BLACK L=20.0MM	
(D)(B) 8	LABEL	1PC	L=40.0MM W=30.0MM CONTENT: SEE "A"	062-003-684
7	OUTER MOLDED	22gm	PVC, SHORE A: 85±3, UL94V-0 COLOR: BLACK(600-BLK-001)	071-001-005
6	INNER MOLDED	12gm	PE FOR MOLDED, COLOR: NATURAL	072-001-001
5	NUT	2PCS	BRASS, NICKEL PLATED, #4-40UNC, L=8.0MM	054-001-042
4	USB 4POS. FEMALE CONN. ("A" TYPE)	2PCS	CONTACT: BRASS, 30u" GOLD PLATED INSULATION COLOR: WHITE, UL94V-0 SHELL: NICKEL PLATED	022-002-743
3	CONTACT	9PCS	CONN TERM FEMALE 26-30AWG CRIM P/N: 77138-001LF	
2	10P HOUSING	1PC	CONN HOUSING 10POS 2MM W/KEY P/N: 10073599-010LF	
(C) 1	CABLE	2PCS	#28x1P+#24x2C+AL./MYLAR+DRAIN WIRE +BRAID+JACKET: PVC O.D=#4.4~4.5MM, UL2725 COLOR: 600-BLK-001	011-001-1520

Cable no. 6980602 Rev A
 USB2.0 Cable, Latching 2x5
 2mm to Dual Type A Socket
 Panel Mount

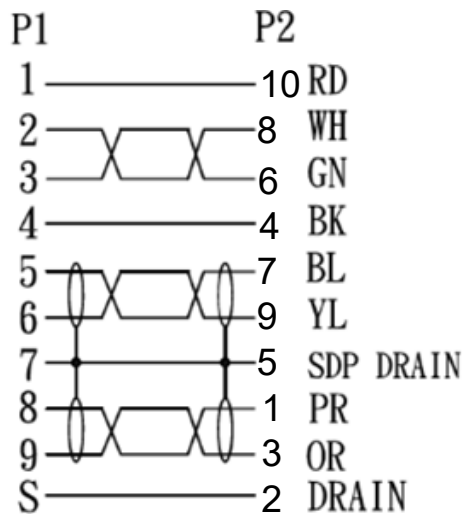


www.diamondsystems.com



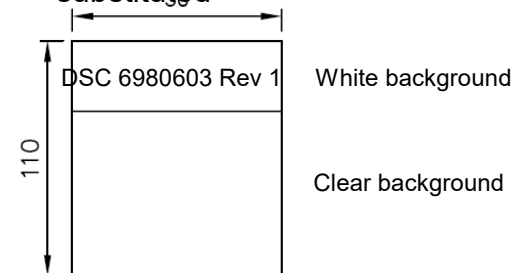
This section derived from
usbfirewire.com

Wiring Diagram



P1: Included in USB Firewire Cable RR-
ASAFPM-10GR
P2: Housing: AMP 10073599-010LF
Contacts: AMP 77138-001LF

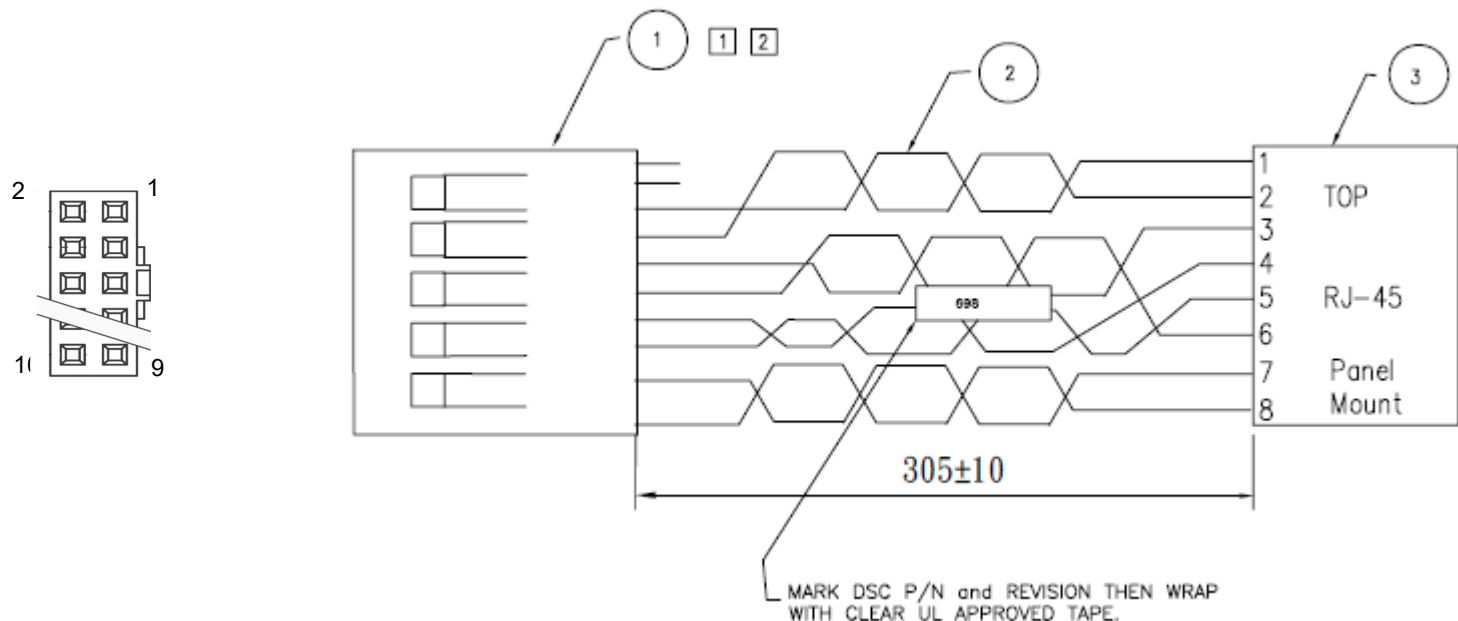
Label Details
Similar design may be
substituted



Cable no. 6980603 Rev A
USB3.0 cable, Latching 2x5
2mm to Type A Socket Panel
Mount



www.diamondsystems.com

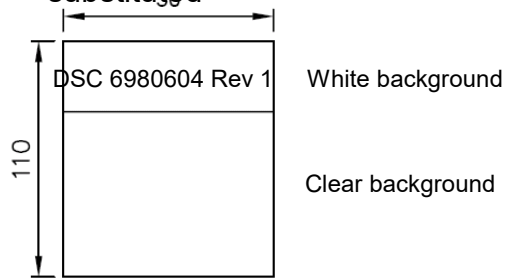


1: Housing: AMP 10073599-010LF
 Contacts: AMP 77138-001LF
 2: CONN RJ45 PANEL MOUNT

WIRING DIAGRAM

③	②	①
GIGABIT RJ-45	NAME/COLOR OF WIRE	CONN 2x5 2mm
1	WHITE/ORANGE	3
2	ORANGE	4
3	WHITE/GREEN	5
4	WHITE/BLUE	7
5	BLUE	8
6	GREEN	6
7	WHITE/BROWN	9
8	BROWN	10

Label Details
 Similar design may be substituted

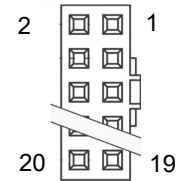
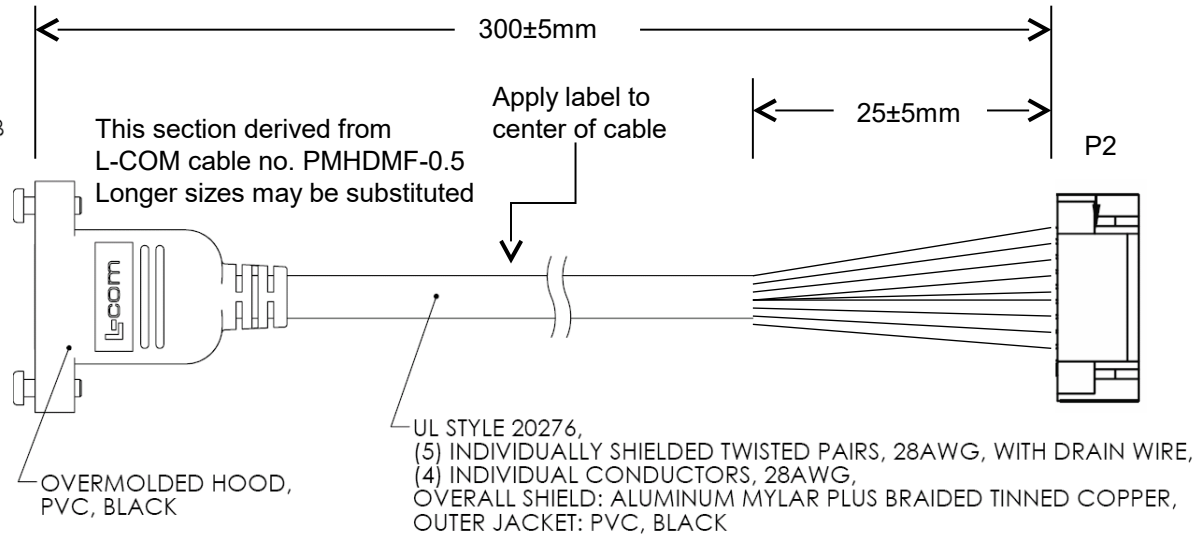
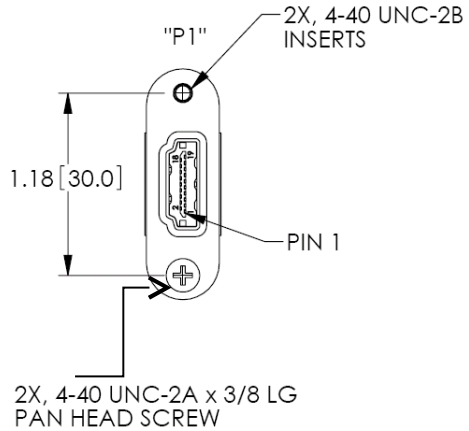


ITEM NO.	PART NUMBER	DESCRIPTION	QUANTITY
3		CONN RJ45 JACK PANEL MNT	
2		WIRE,STRANDED 24AWG CAT6	
1		AMPHENOL 10073599-010LF	

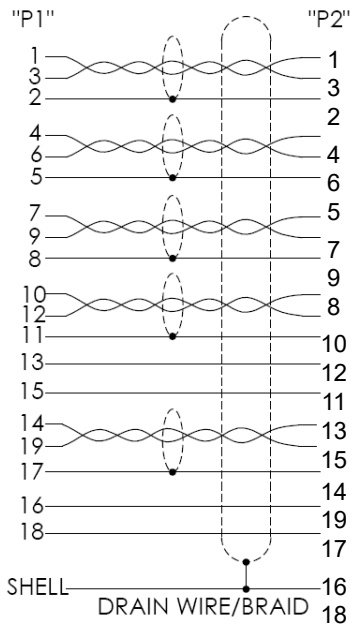
Cable no. 6980604 Rev A
 Ethernet Cable, Latching 2x5
 2mm to RJ-45 Socket Panel
 Mount



HDMI FEMALE
19 PIN CONNECTOR
GOLD PLATED CONTACTS
AND SHELL



Wiring Diagram

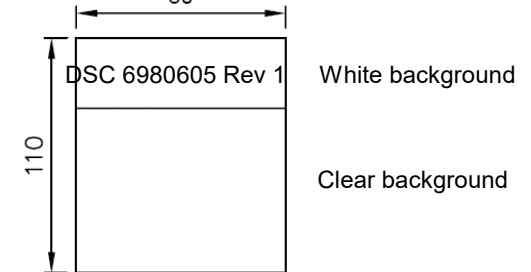


P1: Included in L-COM Cable PMHDMF-0.5

P2: Housing: AMP 10073599-020LF

Contacts: AMP 77138-001LF

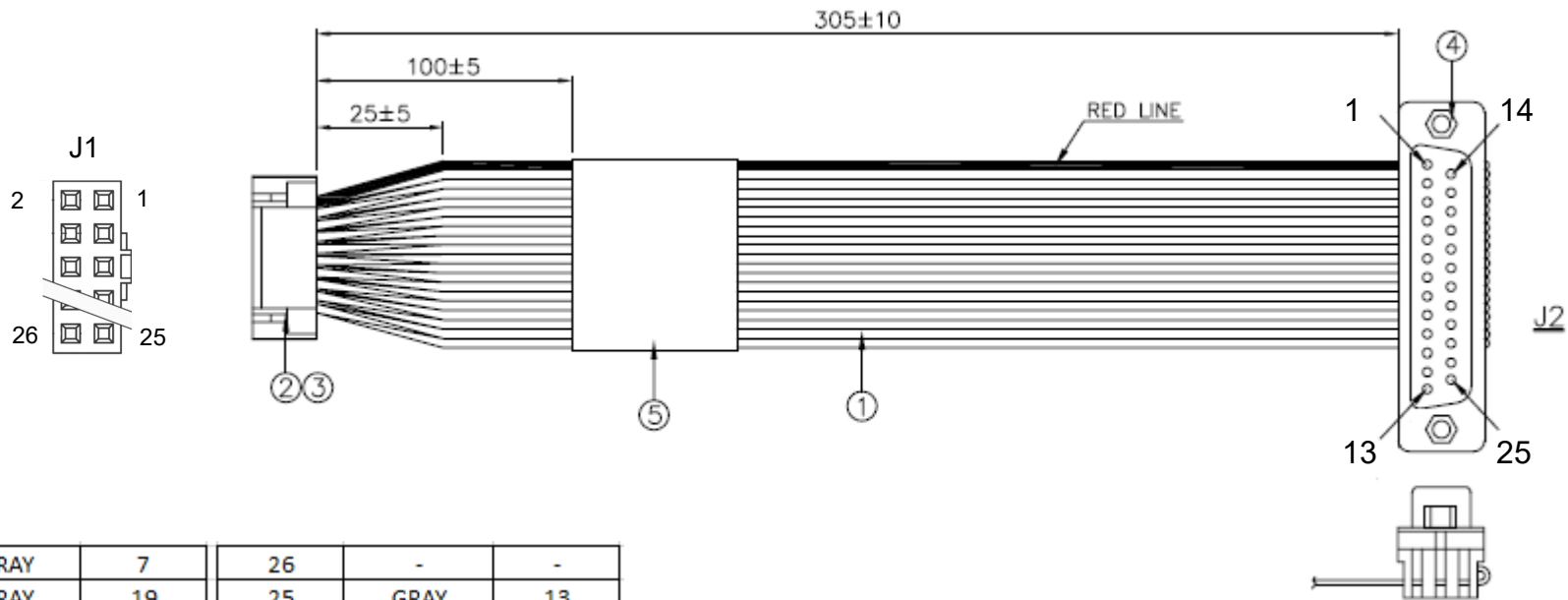
Label Details
Similar design may be substituted



Cable no. 6980605 Rev A
HDMI Cable, Latching 2x10
2mm to HDMI Panel Mount

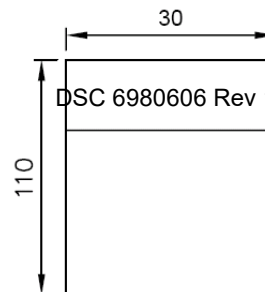


www.diamondsystems.com



13	GRAY	7	26	-	-
12	GRAY	19	25	GRAY	13
11	GRAY	6	24	GRAY	25
10	GRAY	18	23	GRAY	12
9	GRAY	5	22	GRAY	24
8	GRAY	17	21	GRAY	11
7	GRAY	4	20	GRAY	23
6	GRAY	16	19	GRAY	10
5	GRAY	3	18	GRAY	22
4	GRAY	15	17	GRAY	9
3	GRAY	2	16	GRAY	21
2	GRAY	14	15	GRAY	8
1	RED	1	14	RED	20
J1	WIRE COLOR	J2	J1	WIRE COLOR	J2

Label Details



5	LABEL	1PC	W=30.0MM, L=110.0MM, CONTENT: SEE "A"	
4	D-SUB+ SCREWS	1SETS	IDC D-SUB 25 FEMALE W/SR, COLOR: BLACK WITH 4#40 HEX SCREWLOCK 4.75x11.8MM	
3	CONTACT	26PCS	CONN TERM FEMALE 26-30AWG CRIM P/N: 77138-001LF	
2	26P HOUSING	1PC	CONN HOUSING 10POS 2MM W/KEY P/N: 10073599-026LF	
1	FLAT CABLE	1PC	UL2651#28x20C, PITCH: 1.27MM, JACKET: PVC, COLOR: GRAY	E209329
No.	ITEM	Q'TY	DESCRIPTION	UL NO.

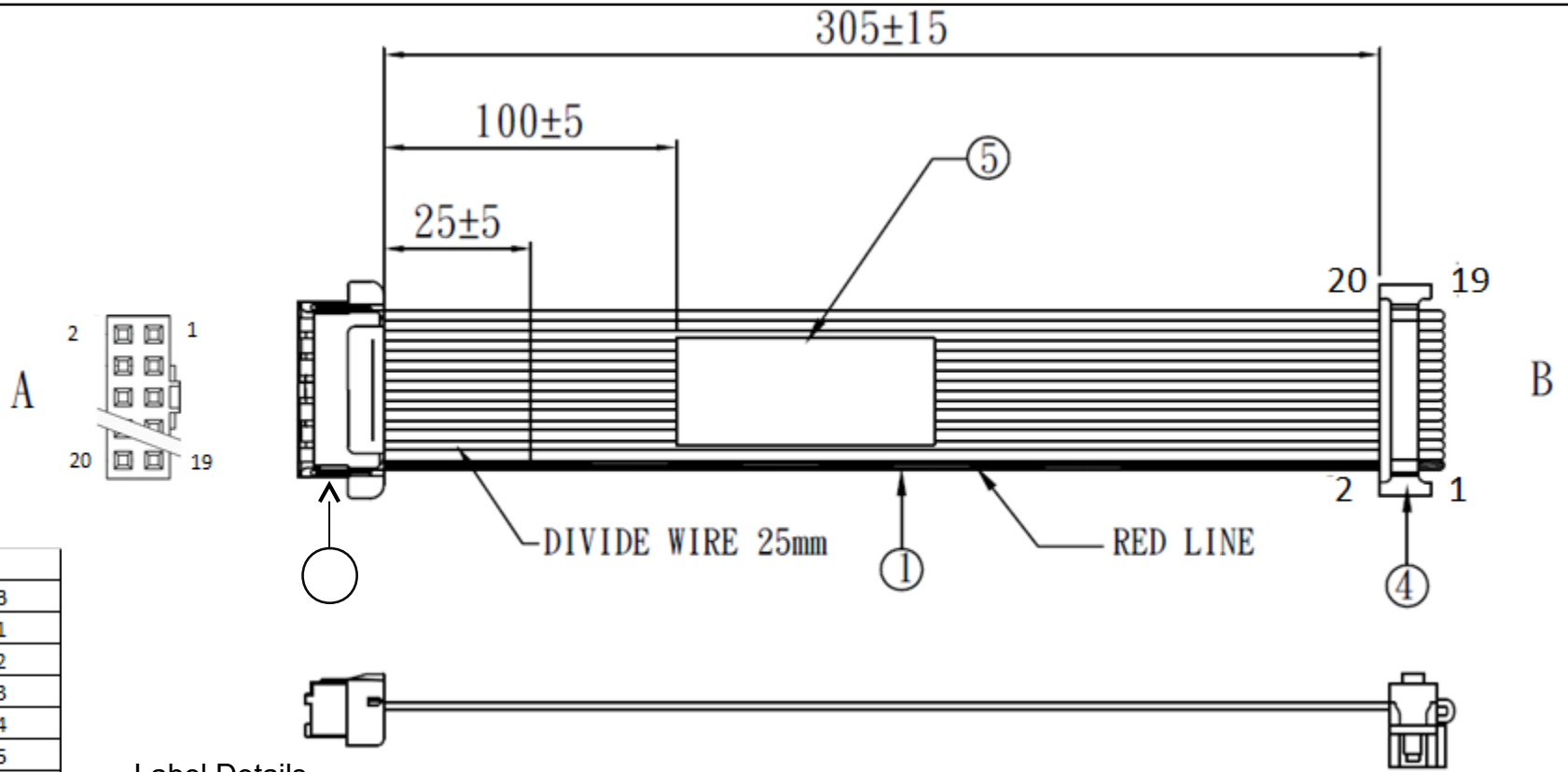
NOTES:

- ALL DIMENSIONS ARE "MM".
- ANY OPEN, MISWIRING, SHORT & INTERMITTENT ARE NOT PERMITTED.
- Connection Resistance : 2.0Ω
Insulation Resistance : 20MΩ
Hi-POT Voltage : 300V DC
Hi-POT Duration : 10mS
- THE PRODUCT MUST BE COMPLY WITH THE DIRECTIVE OF ROHS.
- PACKAGE: 1PC/BAG.

Cable no. 6980606 Rev A
Cable, Latching 2x13 2mm to
DB25F

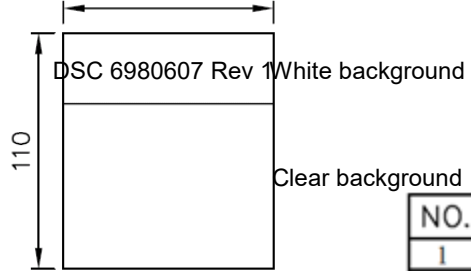


www.diamondsystems.com



WIRING CHART		
A	COLOR	B
1	RED	1
2	GREY	2
3	GREY	3
4	GREY	4
5	GREY	5
6	GREY	6
7	GREY	7
8	GREY	8
9	GREY	9
10	GREY	10
11	GREY	11
12	GREY	12
13	GREY	13
14	GREY	14
15	GREY	15
16	GREY	16
17	GREY	17
18	GREY	18
19	GREY	19
20	GREY	20

Label Details
 Similar design may be substituted



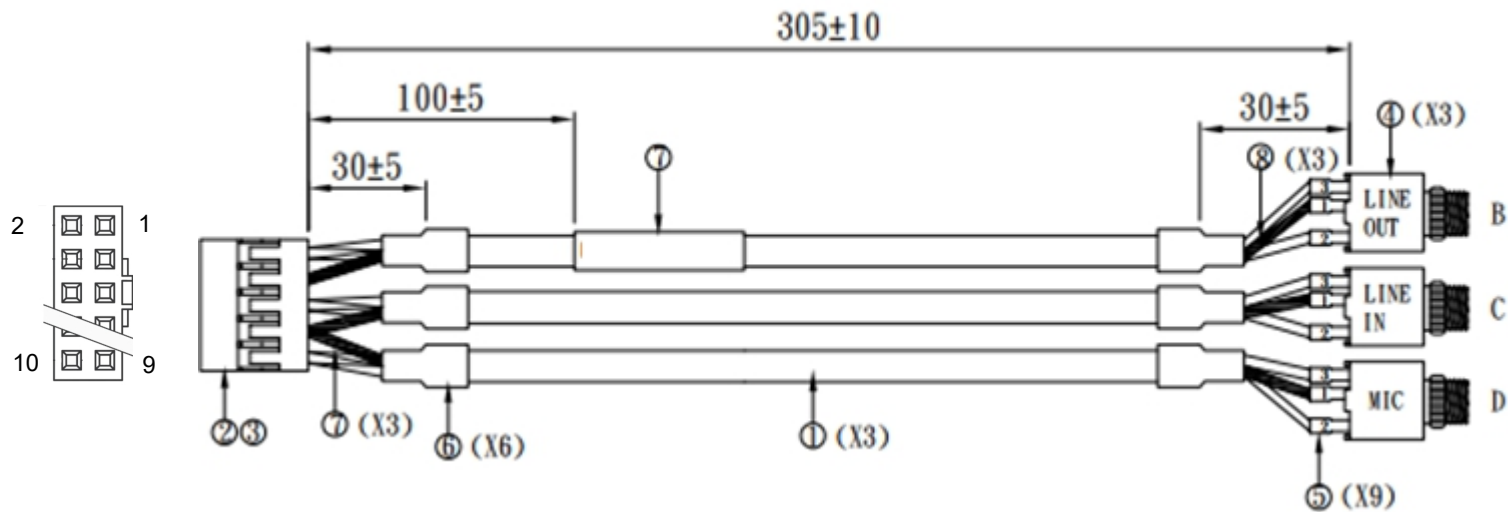
NO.	ITEM.	Q'TY	DESCRIPTION	UL / CSA No.
1	WIRE	1pcs	UL/CSA UL2651#28 16P GRAY PH:1.0mm	
2	HOUSING	1pcs	CONN HOUSING 10POS 2MM W/KEY P/N:	
3	TERMINAL	20pcs	CONN HOUSING 10POS 2MM W/KEY P/N: 77138-001LF	
4	CONN	1pcs	IDC 2.0mm 2x10 20P NOSE/SR SOCKET BLACK OR ASSMANN-AWP2-20-7241-T-R OR EQ	
5	LABEL	1pcs	TRANSPARENT POLYESTER SEE DETAIL "A"	

NOTES:

1. ALL DIMENSIONS ARE "MM".
2. THE PRODUCT MUST BE COMPLY WITH THE DIRECTIVE OF ROHS.
3. PACKAGE: 1PC/BAG.

Cable no. 6980607 Rev A
 Cable, Latching 2x10 2mm to
 2x10 2mm IDC Socket

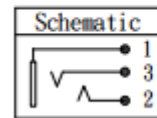




WIRING CHART

A	COLOR	B	C	D
1	BLACK	2		
2	WHITE	3		
3	GND WIRE	1		
5	BLACK		2	
6	WHITE		3	
7	GND WIRE		1	
9	BLACK			2
10	WHITE			3
8	GND WIRE			1

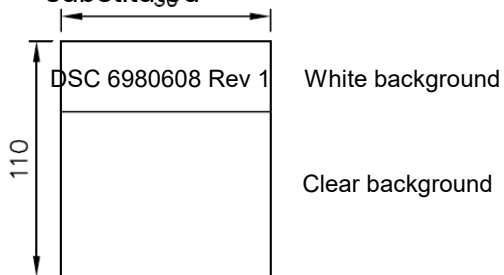
PHONE JACK:



Pin	Description
1	Shield
2	Tip(Left)
3	Ring(Right)

Label Details

Similar design may be substituted



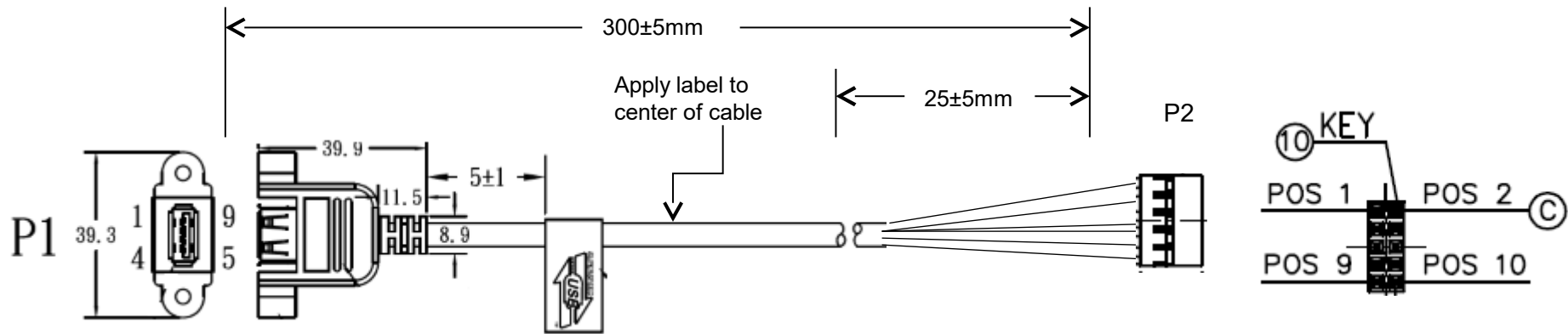
Label(B)	Label(C)	Label(D)
LINE OUT	LINE IN	MIC

NO.	ITEM.	Q'TY	DESCRIPTION	UL No.
1	CABLE:	3PCS	UL2547 24AWG/2C(BLACK, WHITE) +S COLOR:BLACK OD:3.5MM	E238846
2	HOUSING:	1PCS	CONN HOUSING 10POS 2MM W/KEY P/N: 10073599-	
3	TERMINAL:	9PCS	CONN TERM FEMALE 26-30AWG CRIM P/N:	
4	PHONE JACK:	3PCS	PHONE JACK P/N:PJ301CM OR CONNEC-TECH J-355W-09	
5	SHRINK TUBE:	9PCS	3Ø*10mm RSFR-H BLACK	E203950
6	SHRINK TUBE:	6PCS	4Ø*15mm RSFR-H BLACK	E203950
7	SHRINK TUBE:	3PCS	1Ø*30mm RSFR-H BLACK	E203950
8	SHRINK TUBE:	3PCS	1Ø*25mm RSFR-H BLACK	E203950
9	LABEL:	4PCS	TRANSPARENT POLYESTER SEE DETAIL "A"	

Cable no. 6980608 Rev A
 Audio Cable, Latching 2x10
 2mm to 3x 3.5mm Stereo
 Jacks

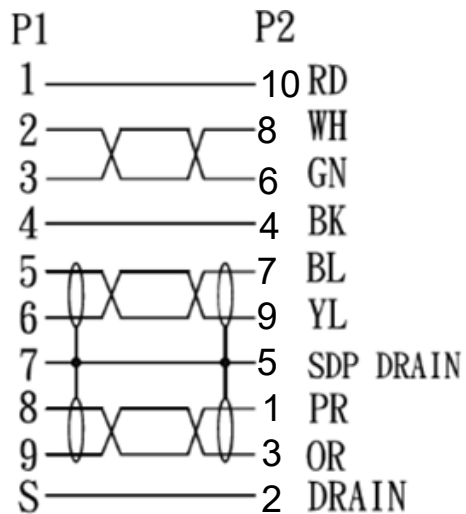


www.diamondsystems.com



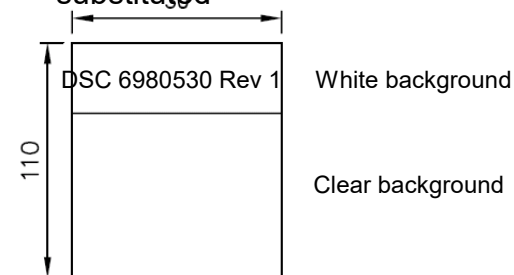
This section derived from
usbfirewire.com

Wiring Diagram



P1: Included in USB Firewire Cable RR-
ASAFPM-10GR
P2: Housing: WL2004H- 2X5 BLACK
Contacts: WL2004-G-P
Key: WL2100-K-W

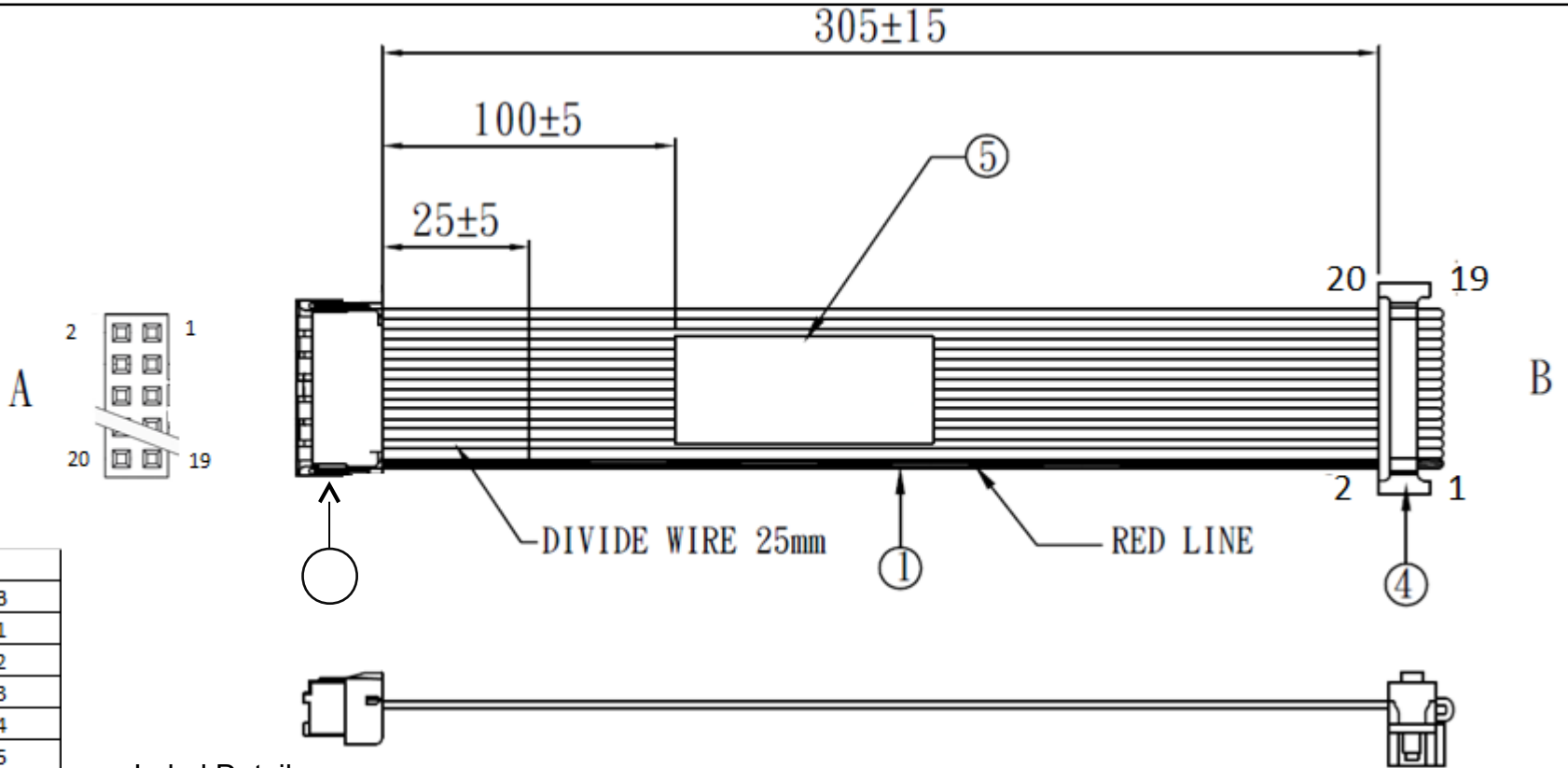
Label Details
Similar design may be
substituted



Cable no. 6980530 Rev A
USB3.0 Cable, Non-Latching 2x5
2mm Crimp Terminal Socket to
USB Type A Socket Panel Mount

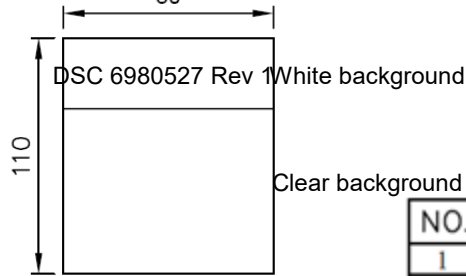


www.diamondsystems.com



WIRING CHART		
A	COLOR	B
1	RED	1
2	GREY	2
3	GREY	3
4	GREY	4
5	GREY	5
6	GREY	6
7	GREY	7
8	GREY	8
9	GREY	9
10	GREY	10
11	GREY	11
12	GREY	12
13	GREY	13
14	GREY	14
15	GREY	15
16	GREY	16
17	GREY	17
18	GREY	18
19	GREY	19
20	GREY	20

Label Details
 Similar design may be substituted



NO.	ITEM.	Q'TY	DESCRIPTION	UL / CSA No.
1	WIRE	1pcs	UL/CSA UL2651#28 16P GRAY PH:1.0mm	
2	HOUSING	1pcs	CONN HOUSING 10POS 2MM W/KEY P/N:	
3	TERMINAL	20pcs	CONN TERMINAL FEMALE 26-30AWG CRIM P/N: 0503948100	
4	CONN	1pcs	IDC 2.0mm 2x10 20P NOSE/SR SOCKET BLACK OR ASSMANN-AWP2-20-7241-T-R OR EQ	
5	LABEL	1pcs	TRANSPARENT POLYESTER SEE DETAIL "A"	

NOTES:

1. ALL DIMENSIONS ARE "MM".
2. THE PRODUCT MUST BE COMPLY WITH THE DIRECTIVE OF ROHS.
3. PACKAGE: 1PC/BAG.

Cable no. 6980527 Rev A

Cable, Non-latching 2x10 2mm
 Crimp Terminal Socket to 2x10
 2mm IDC Socket



www.diamondsystems.com