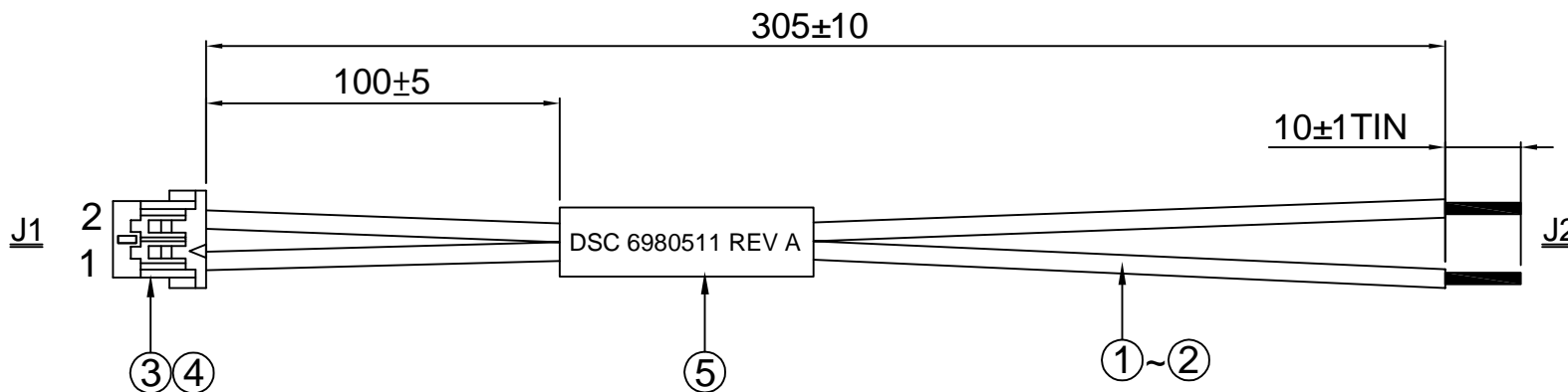
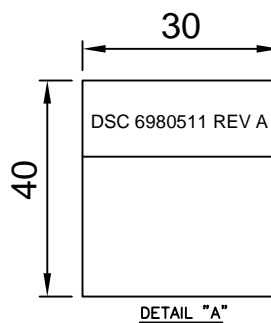


REV.	ECO.	NO.	APPD
A	REL.		JHONNY 09/06'13



2	BLACK	TIN
1	RED	TIN
J1	WIRE COLOR	J2
WIRE CONNECTION TABLE		



5	LABEL	1PC	W=30.0MM, L=40.0MM, CONTENT: SEE "A"	
4	CONTACT	2PCS	MATERIAL: PHOSPHOR BRONZE, TIN PLATED WIRE RANGE: #30~#26 HIROSE P/N: DF13-2630SCF WIRE RANGE: #30~#26, TYU P/N: TU1257TPO-A	
3	2P HOUSING	1PC	MATERIAL: NYLON 66, UL94V-0, COLOR: BEIGE PITCH: 1.25MM, 1X2 HIROSE P/N: DF13-2S-1.25C TYU P/N: TU1257HNO-1*02	E52653 E191023
2	WIRE	1PC	UL1061#26, OD=Ø1.0±0.05MM, COLOR: BLACK JACKET: PVC	E170689 & E108485 E72332
1	WIRE	1PC	UL1061#26, OD=Ø1.0±0.05MM, COLOR: RED JACKET: PVC	E170689 & E108485 E72332
No.	ITEM	Q'TY	DESCRIPTION	UL NO.

- NOTES:
- ALL DIMENSIONS ARE "MM".
  - ANY OPEN, MISWIRING, SHORT & INTERMITTENT ARE NOT PERMITTED.
  - Connection Resistance : 2.0Ω  
Insulation Resistance : 20MΩ  
Hi-POT Voltage : 300V DC  
Hi-POT Duration : 10mS
  - THE PRODUCT MUST BE COMPLY WITH THE DIRECTIVE OF ROHS.
  - PACKAGE: 1PC/BAG.



X.:±	.XX:±	X°. :±	.XX°. :±	PART NO.(INTENDED USE) 6980511 REV A	TITLE: CABLE HARNESS, BATTERY HEADER 1.25MM CONNECTOR TO FLYING LEADS
.X:±0.5	.XXX:±	.X°. :±	.XXX°. :±	APPD: JHONNY 09/06'13	DWG NO.: GL-GH658
				CHKD: WUZUJIAN 09/06'13	SCALE SHEET REV.
				DR: YHTJH 09/06'13	NONE 1/1 A