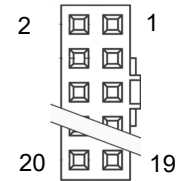
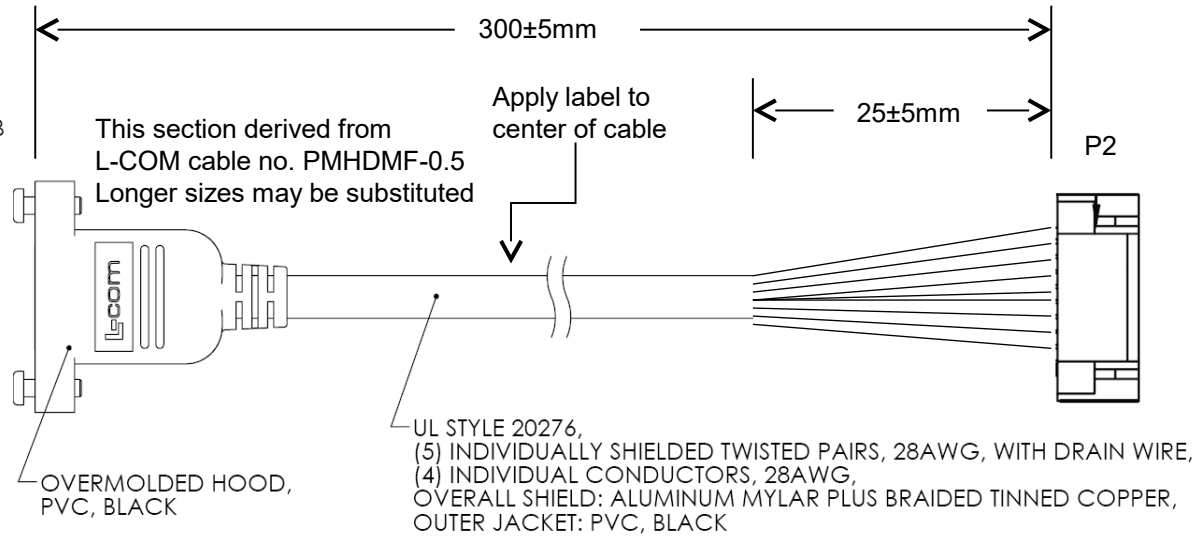
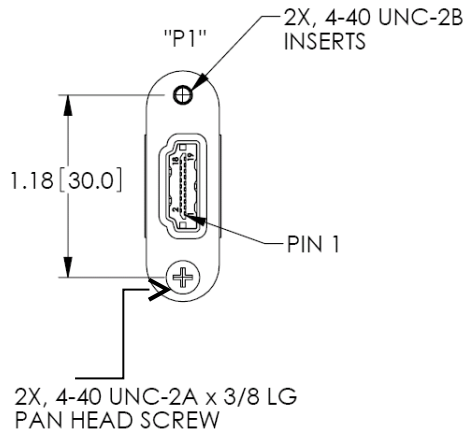
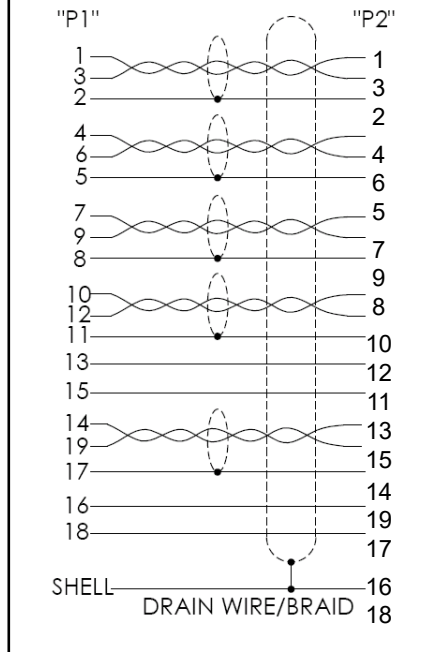


HDMI FEMALE
19 PIN CONNECTOR
GOLD PLATED CONTACTS
AND SHELL



Wiring Diagram



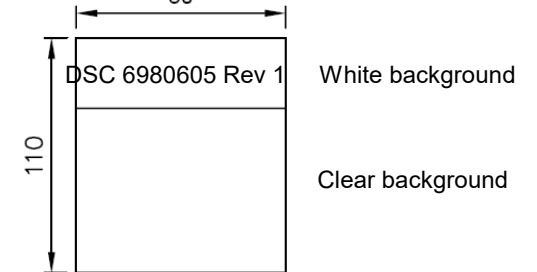
P1: Included in L-COM Cable PMHDMF-0.5

P2: Housing: AMP 10073599-020LF

Contacts: AMP 77138-001LF

Label Details

Similar design may be substituted



Cable no. 6980605 Rev A
HDMI Cable, Latching 2x10
2mm to HDMI Panel Mount



www.diamondsystems.com