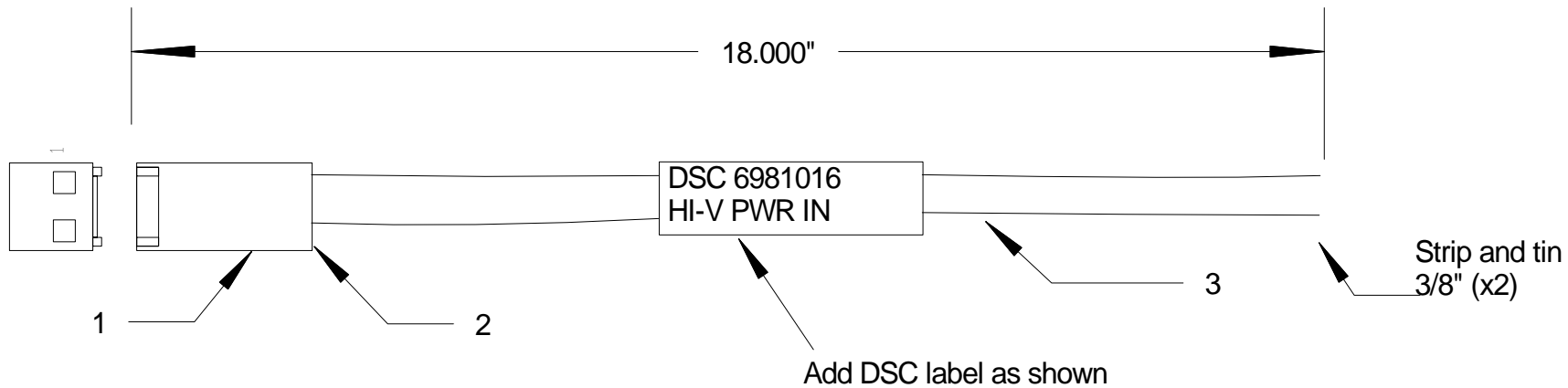


REVISIONS				
ZONE	REV	DESCRIPTION	DATE	APPROVED
	A	INITIAL RELEASE	07/20/06	M. THEIN




ALL COMPONENTS AND MATERIALS MUST BY RoHS COMPLIANT.

- 1. 1x2 locking crimp housing (G-Links 2510H-02)
- 2. Crimp terminals (G-Links 2511)
- 3. 22 AWG stranded wire.

SCHEMATIC TABLE

1x2	Desc	Color
1	GND	Black
2	+VIN	Red

		 Diamond Systems Corporation		
		<h1>HiV PWR Input Cable</h1>		
Not to scale	SIZE	FSCM NO.	DWG NO.	REV
	A		6981016	A
SCALE		SHEET		